

Product information sheet ADON XL 6 S

Item no. 523604

Benefit



- Eye-catching, cubic design
- Raised all-round frame
- Symmetrical construction with tap ledge positioned in the middle
- Ash compound chopping board that can be positioned variably in both working areas
- More room behind the sink thanks to the reduced installation dimension
- High-quality features with drain remote control and InFino™ drain system – elegantly integrated and extremely easy-care
- Can be installed reversibly

Colours



SILGRANIT™ PuraDur™ anthracite

Available colours

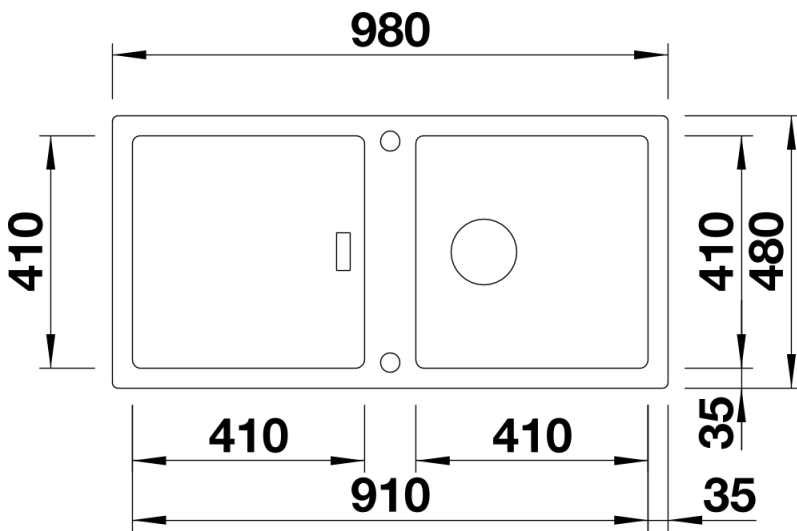
anthracite
rock grey
alu metallic
pearl grey
white
jasmine
champagne
tartufo
nutmeg
coffee

Scope of supply

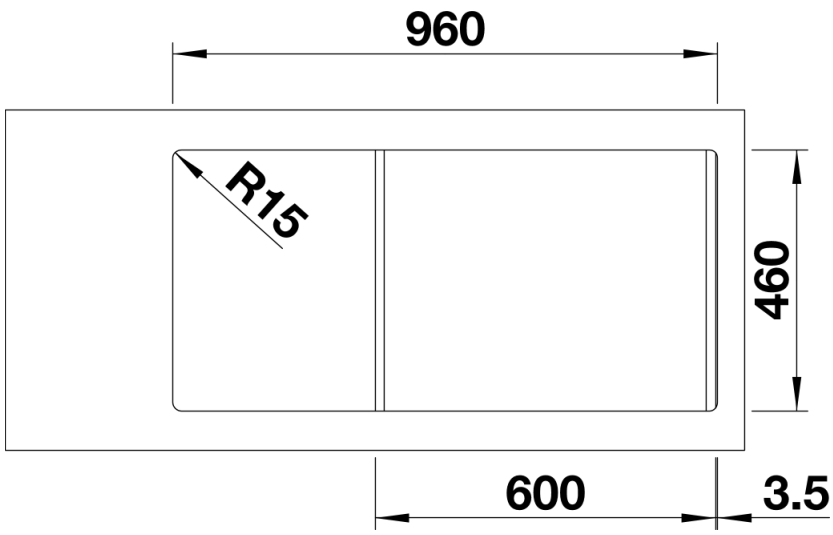
- ash compound chopping board, waste kit with space-saving pipe, 3 1/2" InFino™ basket strainer with drain remote control (rotary switch)

230436 - Ash compound chopping board

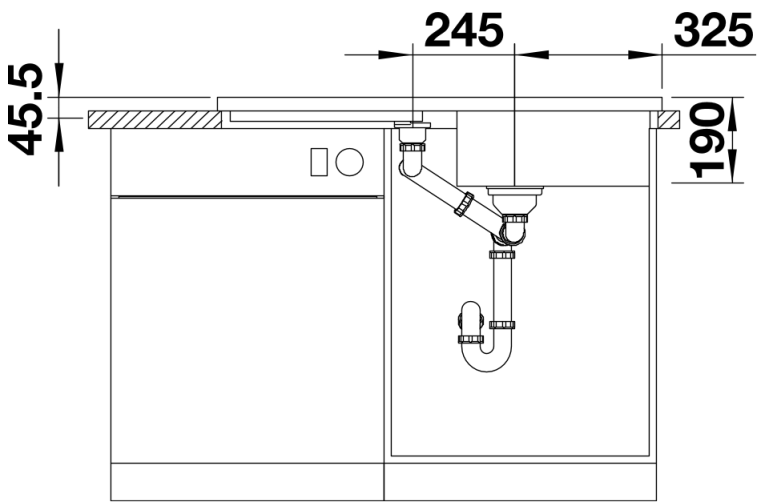
Details



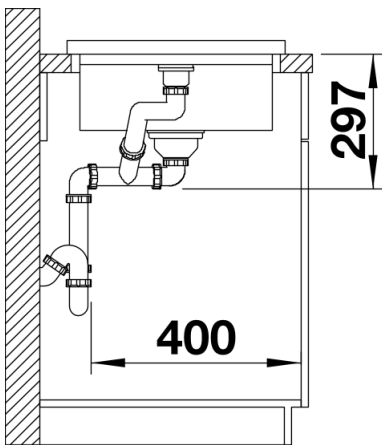
Top view



Cut-out



Front view



Side view