

Induction - Comfort
4-zone 80 cm
Glass

EAN 5414425017546



Cooking Zones

- 4-zone
- Front left : 2300/3000 W - 210 mm
- Rear left : 1100/1400 W - 175 mm
- Front right : 1100/1400 W - 175 mm
- Rear right : 2300/3000 W - 210 mm

Functions & features

- Grill function -
- Automatic pan recognition -
- Keep warm function (°C) 70°C
- Residual heat indication ▪
- Childproof lock ▪
- Pause function ▪
- Timers Minute minder, Timer per Zone, Automatic cooking

Design

- Control method Slider touch control
- Info display color Red
- Glass edge Bevelled
- Mounting method Surface, Flushline

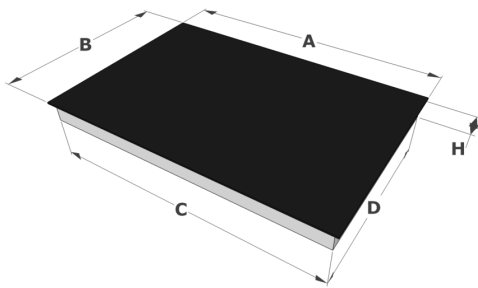
Dimensions

- Product dimensions (WxDxH) (mm) 800 x 520 x 56
- Cut-out worktop (WxD) (mm) 750 x 490

Technical specifications

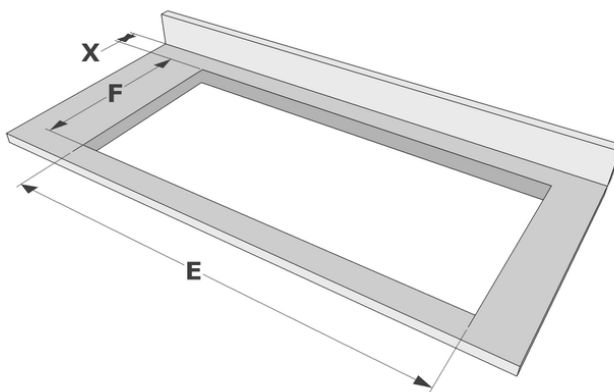
- Maximum power 7400
- Electrical connection 220-240V 1L+N
220-240V 2L
220-240V 3L (BE)
380-400V 2L+N/2N
- Frequency (Hz) 50-60
- Net weight (kg) 11,59

Dimensions



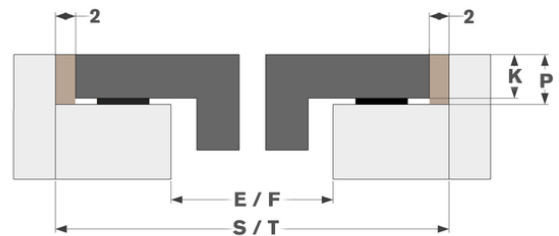
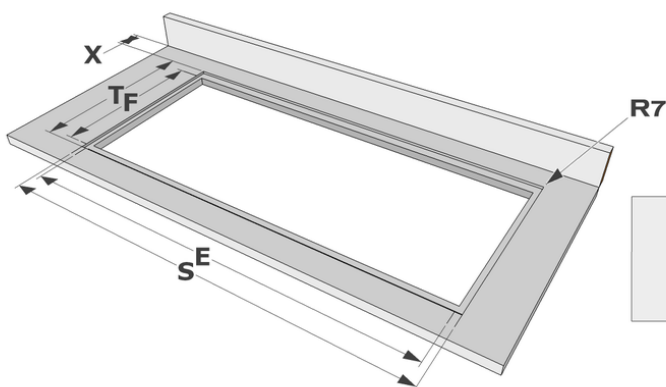
	A	B	C	D	H
mm	800	520	740	480	56

Surface



	E	F	K	P	X
mm	750	490	4	6	50

Flushline



	E	F	S	T	K	P	X
mm	750	490	804	524	4	6	50

Accessories

Cooking



1700092

Side profiles