

Induction - Comfort
4-zone 80 cm
Glass

EAN 5414425017553



Cooking Zones

- 4-zone
- Front left : 2300/3000 W - 210 mm
- Rear left : 1100/1400 W - 175 mm
- Front right : 1100/1400 W - 175 mm
- Rear right : 2300/3000 W - 210 mm

Functions & features

- | | |
|-----------------------------|---|
| ▪ InTouch function | Standard |
| ▪ Grill function | - |
| ▪ Automatic pan recognition | - |
| ▪ Keep warm function (°C) | 70°C |
| ▪ Residual heat indication | ▪ |
| ▪ Childproof lock | ▪ |
| ▪ Pause function | ▪ |
| ▪ Timers | Minute minder, Timer per Zone,
Automatic cooking |

Design

- | | |
|----------------------|----------------------|
| ▪ Control method | Slider touch control |
| ▪ Info display color | Red |
| ▪ Glass edge | Bevelled |
| ▪ Mounting method | Surface, Flushline |

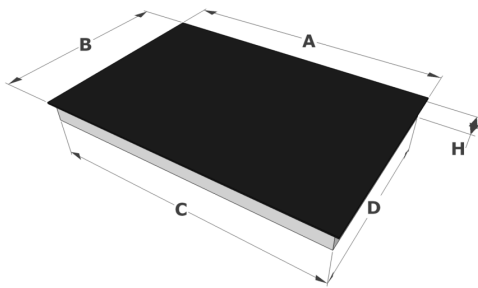
Dimensions

- | | |
|-----------------------------------|----------------|
| ▪ Product dimensions (WxDxH) (mm) | 800 x 520 x 56 |
| ▪ Cut-out worktop (WxD) (mm) | 750 x 490 |

Technical specifications

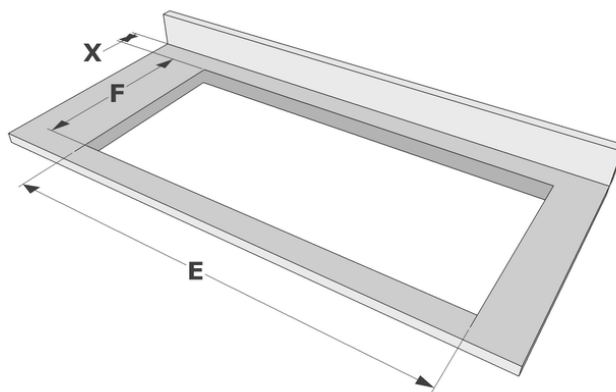
- | | |
|-------------------------|--|
| ▪ Maximum power | 7400 |
| ▪ Electrical connection | 220-240V 1L+N
220-240V 2L
220-240V 3L (BE)
380-400V 2L+N/2N |
| ▪ Frequency (Hz) | 50-60 |
| ▪ Net weight (kg) | 11,59 |

Dimensions



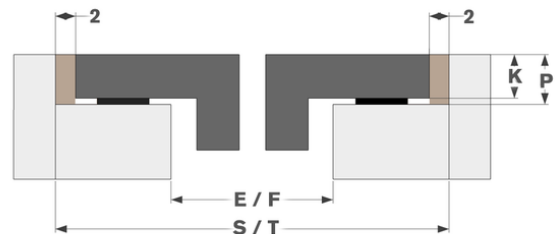
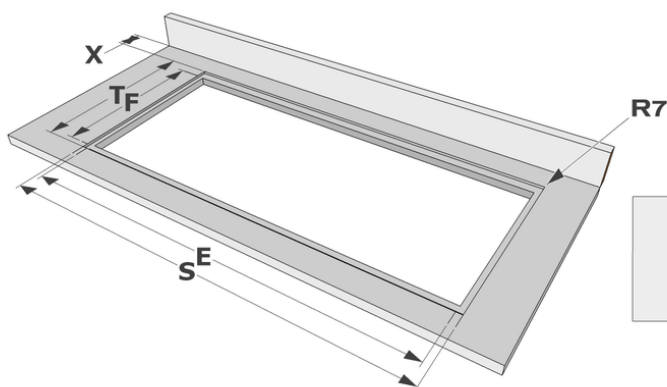
	A	B	C	D	H
mm	800	520	750	480	56

Surface



	E	F	K	P	X
mm	750	490	4	6	50

Flushline



	E	F	S	T	K	P	X
mm	750	490	804	524	4	6	50

Accessories

Cooking



1700092

Side profiles