

Induction - Comfort
3-zone 80 cm
Glass

EAN 5414425017577



Cooking Zones

- 3-zone
- Front left : 2300/3000 W - 210 mm
- Center : 1100/1400 W - 175 mm
- Front right : 2300/3000 W - 210 mm

Functions & features

▪ InTouch function	Standard
▪ Grill function	-
▪ Chef function	-
▪ Pot move function	-
▪ Automatic pan recognition	-
▪ Keep warm function (°C)	70°C
▪ Residual heat indication	▪
▪ Wipeguard function	-
▪ Childproof lock	▪
▪ Pause function	▪
▪ Timers	Minute minder, Timer per Zone, Automatic cooking

Design

▪ Control method	Slider touch control
▪ Info display color	Red
▪ Glass edge	Bevelled
▪ Mounting method	Surface, Flushline

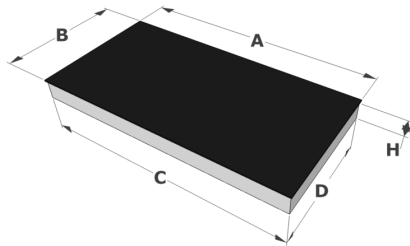
Dimensions

▪ Product dimensions (WxDxH) (mm)	800 x 370 x 56
▪ Cut-out worktop (WxD) (mm)	760 x 340

Technical specifications

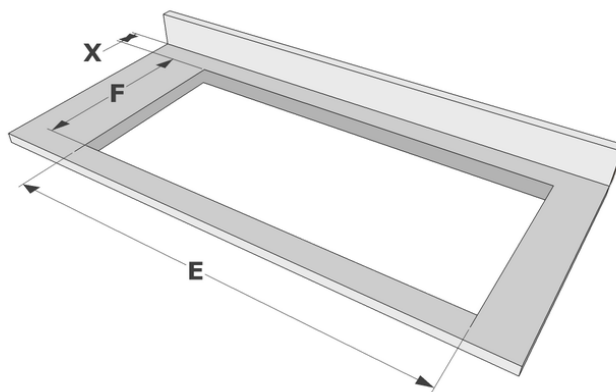
▪ Maximum power	6700
▪ Electrical connection	220-240V 1L+N 220-240V 2L 220-240V 3L (BE) 380-400V 2L+N/2N
▪ Frequency (Hz)	50-60
▪ Net weight (kg)	8,5

Dimensions



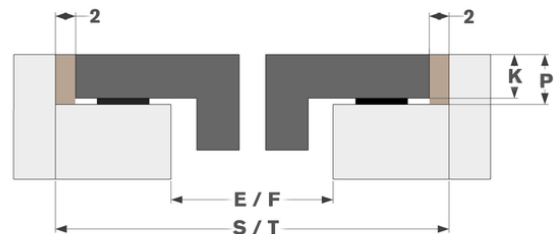
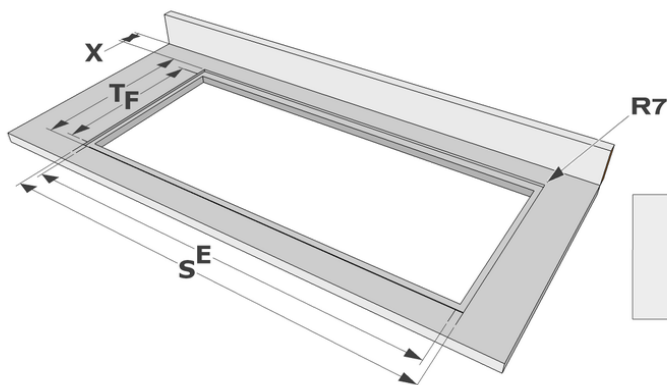
	A	B	C	D	H
mm	800	370	757	338	56

Surface



	E	F	K	P	X
mm	760	340	4	6	50

Flushline



	E	F	S	T	K	P	X
mm	760	340	804	374	4	6	50