

Induction - Pro
5-zone 90 cm
Glass

EAN 5414425017782



Cooking Zones

- 5-zone
- Front left : 2100/3700 W - 240x200 mm
- Rear left : 2100/3700 W - 240x200 mm
- Center : 2600/5500 W - 280 mm
- Front right : 2100/3700 W - 240x200 mm
- Rear right : 2100/3700 W - 240x200 mm

Functions & features

▪ InTouch function	Standard
▪ Bridge function	2
▪ Bridge activation	Automatic
▪ Grill function	▪
▪ Chef function	▪
▪ Pot move function	▪
▪ Automatic pan recognition	▪
▪ Keep warm function (°C)	42°C, 70°C, 94°C
▪ Residual heat indication	▪
▪ Wipeguard function	▪
▪ Childproof lock	▪
▪ Pause function	▪
▪ Timers	Minute minder, Timer per Zone, Count-up timer, Automatic cooking

Design

▪ Control method	Slider touch control
▪ Info display color	White
▪ Glass edge	Bevelled
▪ Mounting method	Surface, Flushline

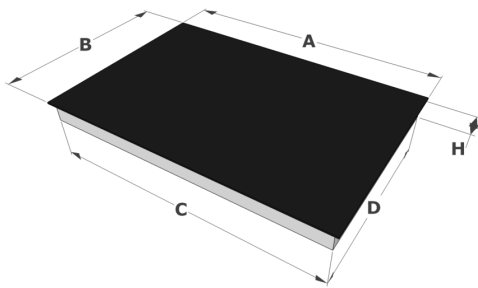
Dimensions

▪ Product dimensions (WxDxH) (mm)	900 x 520 x 51
▪ Cut-out worktop (WxD) (mm)	850 x 490

Technical specifications

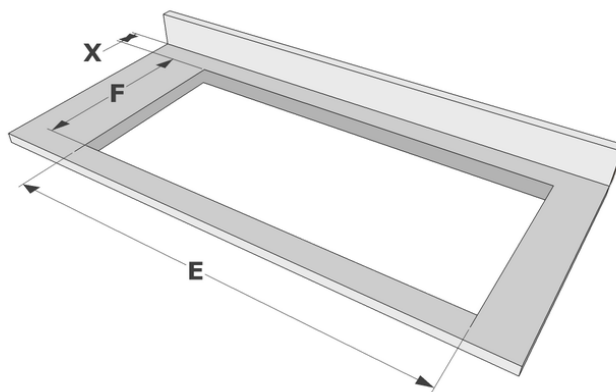
▪ Maximum power	11100
▪ Electrical connection	220-240V 1L+N 220-240V 2L 220-240V 3L (BE) 380-400V 2L+N/2N 380-400V 3L+N
▪ Frequency (Hz)	50-60
▪ Net weight (kg)	15,76

Dimensions



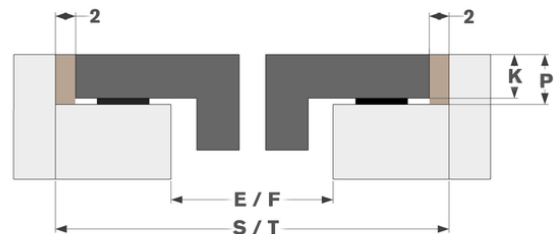
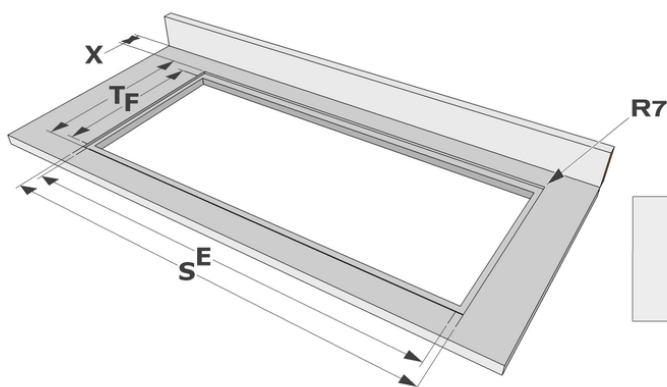
	A	B	C	D	H
mm	900	520	800	482	51

Surface



	E	F	K	P	X
mm	850	490	4	6	50

Flushline



	E	F	S	T	K	P	X
mm	850	490	904	524	4	6	50

Accessories

Cooking



1700092

Side profiles