



Welcome to Novy

For over 50 years, Novy has approached each project with the same goal: to combine quality, craftsmanship and design with the finest materials and expertise to bring silence to your kitchen. Creating enduringly beautiful appliances that perform day after day, year after year, all Novy products are supplied with a full five year parts and labour warranty.

Enhanced by the trend for open plan living, extraction and surface cooking itself has become a defining feature of the modern kitchen. Novy provides subtle, elegant and high design statement products that always complement the architectural character of the space.

We believe a beautifully designed and crafted kitchen is a statement of quality and there is no better way to make a lasting impression than with Novy. Novy is for every kitchen where performance matters, whether your home is a rural retreat or modern city sleek.



5 years warranty

Complementary 5 year warranty
on cooker hoods, worktop extractors
and induction hobs.

Register on www.novy.com/warranty and take advantage of a free 5 year warranty* on Novy cooker hoods, worktop extractors and induction hobs. You do not need to sign a maintenance contract for this, all you have to do is register.

* The warranty period begins on the date of purchase (billing date).
You can find the full terms and conditions on www.novy.com

Cooker hood guidelines

20

Downdraft extraction

28

Ceiling units

56

Built-in cooker hoods for deep cabinets

92

Built-under cooker hoods for shallow cabinets

116

Wall-mounted cooker hoods

138

Island cooker hoods

168

Cooker hood accessories

194

Hobs

204

Info

236

Power, silence and connectivity.

We are the secret ingredient in your kitchen. The silent power of our expertise is incorporated in everything we make. Our cooker hoods and hobs are extremely silent in use and minimalistic in design, created to bring peace to the heart of your kitchen. Powerful too, built with an eye for precision and perfection.

And designed so that you can comfortably cook, thanks to smart technology that lets your kitchen appliances communicate. Power, silence and connectivity.

And all this behind the scenes.



ABOUT
NOVY

Novy, your kitchen's secret ingredient



POWER

Power is driven by passion. As pioneers, we use this unadulterated energy to push our boundaries further and further. This will to improve, to continue to refine, is for us the basis of everything we create. Every cooker hood and hob is the result of avant-garde technology and years of craftsmanship. Because pure power is what drives us. And that's no different for our appliances.

VER

Novy, your kitchen's secret ingredient



Novy, your kitchen's secret ingredient

The power you feel but don't see

Performance is always our first goal. Our relentless search for how things can be done differently and better led Novy to pioneer perimeter extraction. This innovative technology immediately captures all cooking vapours where they originate. Faster, and therefore better, because the combination of a powerful motor with grease and carbon filters guarantees that all unpleasant elements are immediately removed from the air.



-
- High-quality materials and workmanship
 - Integrated motor or remote motor
 - Innovative extraction on the edge of the hob
 - Multi-layer grease filter
 - Extraction or recirculation





Novy, your kitchen's secret ingredient

Craftsmanship with a soul

Our strength lies in solid and well-considered work.
In extremely silent, but high-performance engines.
In technology, driving to the limit. In wanting to excel.
In commitment. But also in our hands.

For us, craftsmanship is the starting point for
delivering quality. We share this knowledge and
form the connecting factor between pure design,
a well-considered choice of materials and perfect
execution. Our thinking is reflected in every cooker
hood and hob developed and produced in Belgium.

Because that finesse in actions is what makes
cooking into an art, and of cooker hoods Novy.







SILE

Silence is what you need to achieve perfection. That's why, at best, there's a whisper in the wings, and why the finishing touch is added to the board with the utmost precision. It's also why our cooker hoods and hobs are remarkably discreet, shrouded in minimalism and visual tranquillity. We carefully eliminate any frivolity or disturbing noise. The result is a design that is pure - nothing but the essence - and a cooker hood that is always quieter than what you cook.



NICE

Novy, your kitchen's secret ingredient



Novy, your kitchen's secret ingredient

We bring silence to your kitchen

We bring peace to your kitchen, so you can put passion in your cooking. We polish our designs to pure lines that combine subtlety with performance. Discreet, silent and strong in their abstraction. Because for us, every detail is a consideration, every choice made to give you freedom.

We understand the power of subtlety. That is why our designs are resolutely geared towards a calm interplay of lines and an eye for detail. Sophisticated design leads the way, combined with comfort in every action.



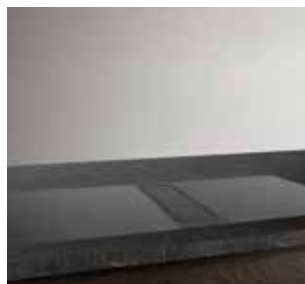
Strikingly inconspicuous

Our cooker hoods are designed to be quieter than what you are cooking. We've developed an advanced noise reduction system and a double-walled base plate: optimised aerodynamics that reduce resistance. Read: less noise, less distraction and also energy efficient.

- Quiet engine
- Advanced silencing system
- Double-walled insulated base plate
- Exhaust tower with adjustable heights
- Recirculation or discharge to the outside
- Adjustable lighting

Visual perfection

Our desire for perfection translates into kitchen elements that blend in seamlessly with their surroundings. We extend this visual tranquillity into every detail to create the timeless element of elegance that is full of potential.





CONNECTION

Intuition is the guiding principle in the kitchen. Our smart technology is designed to let you cook comfortably and to follow your intuition. By simplifying your life, we give you the freedom to create, to improvise. That's why we continue to refine our technology so that your cooking becomes an experience, a combination of elegance and delicacy. For us, it's all about connection: between people, but also between the cooker hood and hob. Because together is simply stronger.



NECT

Novy, your kitchen's secret ingredient



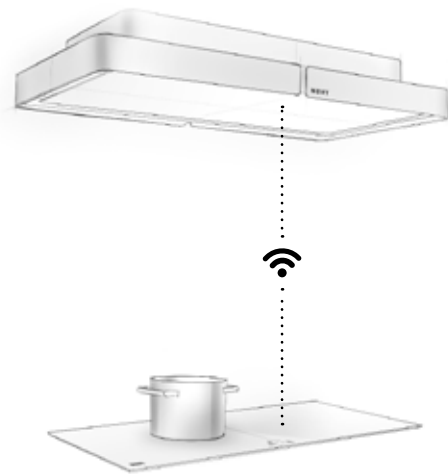
Novy, your kitchen's secret ingredient

Connect in a snap

Our smart features let you become one with your kitchen. Thanks to innovative technology, your pots and pans no longer threaten to boil over. Moreover, they always stay at the right temperature, even when you move them. And now you're even warned when your filters need maintenance, so you can continue to enjoy optimum performance. That's how Novy becomes the secret ingredient in your kitchen: a smart tool that makes cooking easier for you.

As a specialist, we've developed a new generation of cooker hoods and hobs. Efficient and designed with the urge to take your cooking to the next level. But above all, it's intuitive, so that every command is at your fingertips and cooking is done from feeling.





What matters to us is connectivity:
between people around the
cooking island, and between
cooker hood and hob.



Pure technology

Using technology to make your life easier, that's our goal. That's why we're looking for practical applications that immediately improve the quality of your cooking experience. Smart technology knows when you put a pot on the hob, and even when you move it. Temperature settings, on the other hand, ensure that the water does not boil over. This way, cooking becomes pure intuition, a mix of creativity and freedom.

Our recirculation systems are as durable as they are effective. They eliminate the strongest odours from your kitchen without unnecessarily extracting hot air to the outside. This allows you to recover heat and save energy. And it doesn't stop there, because a hood with recirculation offers more space, is easier to install and gives you a minimalist design.



- **Intuitive operation**
- **Coupled smart technology**
- **Convenient flex zones**
- **Pot Move function**
- **InTouch technology**
- **Pleasant indoor climate**




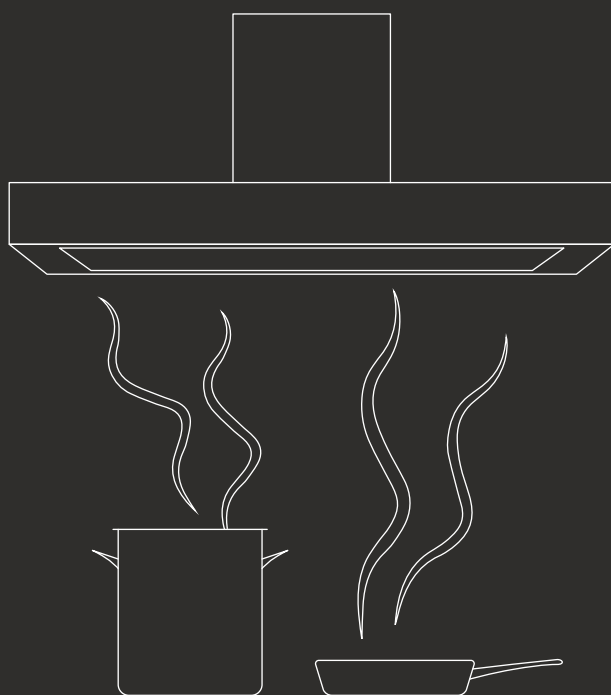


Cooker hood guidelines

The best solution for your personal circumstances depends on your living situation and wishes. The following step-by-step plan will help you select the correct kitchen ventilation solution for your ideal kitchen.

Step 1 How wide should your cooker hood be?

Cooking vapours do not rise straight up, but blow out at an angle between 10 and 15 degrees. For proper operation, the cooker hood must be at least the full width of the hob. For an island arrangement, choose a wider model for a good capture capacity of the cooking vapours. The maximum height of your cooker hood also plays a role. These can be found via the symbol  on the product pages.

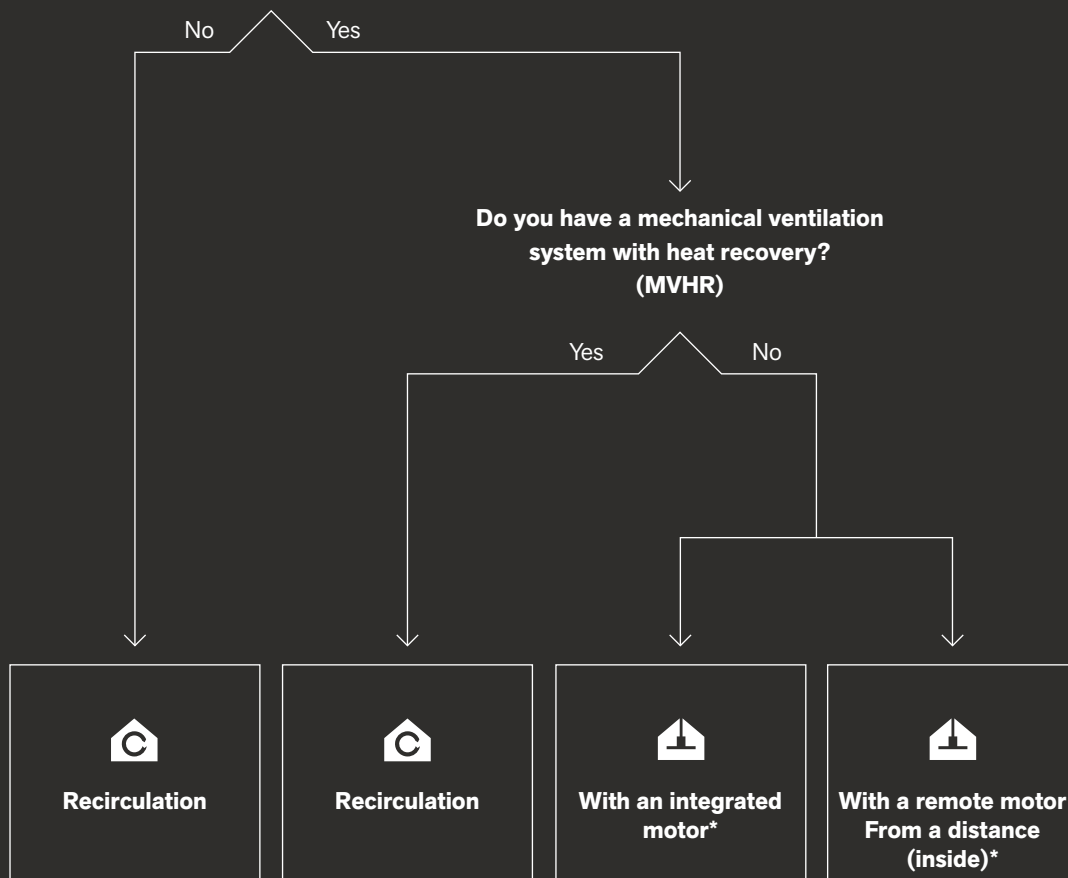




Step 2 Extraction to the outside or recirculation?

The choice between air extraction to the outside or recirculation depends on your living situation, possibilities and wishes. It has a major impact on the installation of the kitchen.

Is extraction to the outside (via the roof or facade) possible?



Extraction to the outside is the best solution, but recirculation is an option provided there is sufficient ventilation (to be provided by the customer).

A remote motor enables a limited built-in height for the Pure'line and Mini Pure'line.

*** No outlet without an inlet**

A cooker hood only works in an optimum way if the outlet air from the room is replaced with fresh air. An insufficient air inlet leads to a loss of efficiency. It is therefore best to provide a sufficient air inlet (through a grate in a window, open door or window, or from another room).





Step 3



Where should you place the cooker hood?



How wide is your hob?



In the worktop



Above a cooking island

65 cm

Downdraft extraction, see p. 28
Novy One

Select a cooker hood of at least 90 cm

Ceiling units, see p. 56

Cloud
Pure'line (Compact)
Maxi Pure'line

Island cooker hoods, see p. 168

Mood
Zen
Flat'line
Pro'line

80 cm

Downdraft extraction, see p. 28
Novy Panorama
Novy Up

Select a cooker hood of at least 90 cm

Ceiling units, see p. 56

Cloud
Pure'line (Compact)
Maxi Pure'line

Island cooker hoods, see p. 168

Mood
Zen
Flat'line
Pro'line

90 cm

Downdraft extraction, see p. 28
Novy Panorama
Novy Up

Select a cooker hood of at least 100 cm

Ceiling units, see p. 56

Cloud
Pure'line (Compact)
Maxi Pure'line

Island cooker hoods, see p. 168

Mood
Zen
Flat'line
Pro'line

100 cm

Downdraft extraction, see p. 28
Novy Panorama
Novy Up

Select a cooker hood of at least 120 cm

Ceiling units, see p. 56

Pure'line (Compact)
Maxi Pure'line

Island cooker hoods, see p. 168

Zen
Flat'line
Pro'line

≤ 120 cm

Downdraft extraction, see p. 28
Novy Panorama
Novy Up

Select a cooker hood of at least 150 cm

Ceiling units, see p. 56

Maxi Pure'line



Integrated
in a ceiling or recess



Telescopic
built-in or under
the cabinet



Wall-mounted
with a decorative
cooker hood

Select a cooker hood of at least 60 cm

Ceiling units, see p. 56
Pure'line (Compact)

Built-in cooker hoods, see p. 92
Mini Pure'line
Touch
Glass
Essence stainless steel

Select a cooker hood of at least 60 cm

Built under cooker hoods, see p. 116
Fusion
Fusion Pro
Telescopic stainless steel
Telescopic Essence

Select a cooker hood of at least 75 cm

Wall-mounted cooker hoods, see p. 138
Vision
Head'line
Flat'line
Pro'line
Salsa

Select a cooker hood of at least 90 cm

Ceiling units, see p. 56
Pure'line (Compact)

Built-in cooker hoods, see p. 92
Mini Pure'line
Touch
Glass
Essence stainless steel

Select a cooker hood of at least 90 cm

Built under cooker hoods, see p. 116
Fusion
Fusion Pro
Telescopic stainless steel
Telescopic Essence

Select a cooker hood of at least 90 cm

Wall-mounted cooker hoods, see p. 138
Vision
Head'line
Flat'line
Pro'line
Salsa

Select a cooker hood of at least 100 cm

Ceiling units, see p. 56
Pure'line (Compact)

Built-in cooker hoods, see p. 92
Mini Pure'line
Touch
Glass
Essence stainless steel

Select a cooker hood of at least 90 cm

Built under cooker hoods, see p. 116
Fusion
Fusion Pro
Telescopic stainless steel
Telescopic Essence

Select a cooker hood of at least 90 cm

Wall-mounted cooker hoods, see p. 138
Vision
Head'line
Flat'line
Pro'line
Salsa

Select a cooker hood of at least 120 cm

Ceiling units, see p. 56
Pure'line (Compact)

Select a cooker hood of at least 100 cm

Built under cooker hoods, see p. 116
Fusion Pro

Select a cooker hood of at least 120 cm

Wall-mounted cooker hoods, see p. 138
Vision
Flat'line
Pro'line

Select a cooker hood of at least 150 cm

Ceiling units, see p. 56
Maxi Pure'line

Select a cooker hood of at least 120 cm

Built-in groups, see p. 116
Fusion Pro

Select a cooker hood of at least 120 cm

Wall-mounted cooker hoods, see p. 138
Vision
Flat'line
Pro'line



COOKER HOOD NOVY

Silent power in the kitchen



The best cooker hood is a cooker hood that does not attract unnecessary attention. Its invisibility is what turns it into a small secret. Cleanly designed, quiet, and technologically advanced. Tranquillity itself. This way, there is plenty of room to translate your creativity to the plate.

- Silent motor
- Extensive soundproofing
- Purified indoor air

NOVY

Progressive design

The ultimate package for the best results. That's the Novy cooker hood. The high-performance extraction technology ensures efficient extraction of cooking fumes and odours. The motor is also equipped with a sound-absorbing system and the finish is in high-quality materials - but it's the design that makes you give in.

Smart functions



InTouch

Operate your cooker hood from your hob with wireless RF communication.

Variable lighting

Customise the lighting: vary between warm and cold tones and dim when you want. The soft on/off button gradually turns the light on or off.



Pure kitchen air

Cooking fumes are immediately extracted thanks to the **high-performing, silent motor**.



The efficient **multilayer grease filter** captures all the fat particles that are released during cooking.



The carbon particles of the **monoblock filter** have a natural coating, exclusively made by Novy. This neutralises the strongest odours - even fish - from 95% up to 100%.



The **closed, sound-absorbing airflow system** accompanies the hot cooking fumes and prevents moisture from accumulating in the ceiling or cabinet.

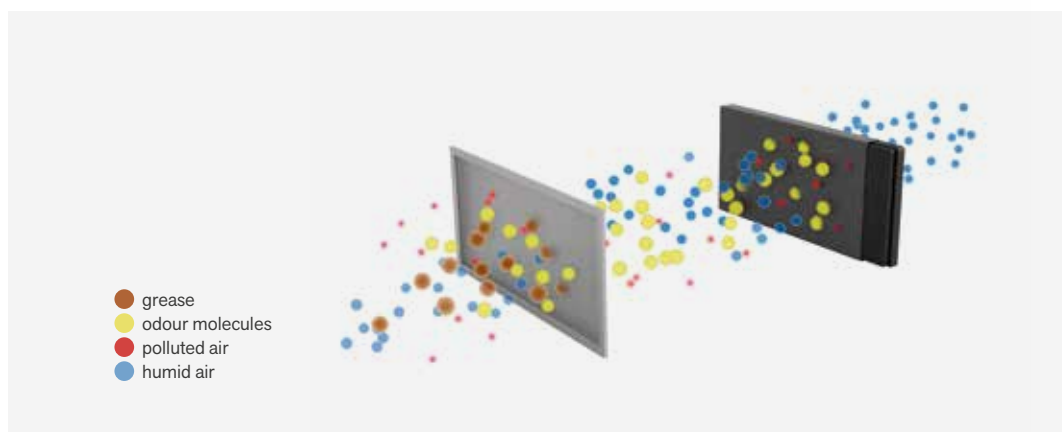


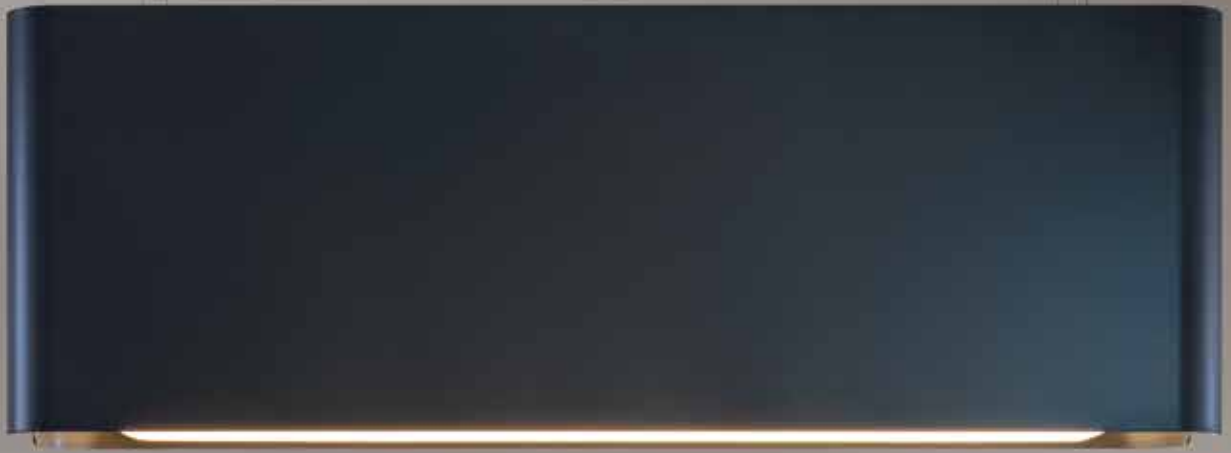
The purified hot air is re-introduced into the kitchen, which guarantees **perfect recirculation** and heat recovery.

Our **Novy Pure 3.0** technology ensures a pleasant indoor climate. You can count on effective recirculation that keeps even the strongest odours out of your kitchen, without unnecessarily extracting warm, purified air to the outside.

Easy maintenance

Under normal cooking conditions, the carbon filter must be replaced after 3-5 years or 900 hours of cooking. This makes the replacement cost minimal compared to other systems.







Downdraft extraction

Novy Panorama



Cooking profile

Use



Width (incl. hob) (cm)

Dimensions

88

Number of cooking zones

3



4



5

6



Adjustable height of downdraft hood

Height

10 / 20 / 30

p. 32

Normal use, basic cooking functions, casseroles/ low pots/high pots with lids

Normal use, extensive cooking functions, casseroles/low pots and high pots with lids

Intensive use, extensive cooking functions, casseroles/low pots/high pots



Novy One

Novy Up



	78	49 (incl. 1 Domino hob) 87 (incl. 2 Domino hobs) 136 (incl. 3 Domino hobs)
	7 / 11	0 / 10

p. 38

p. 46



DOWNDRAFT
EXTRACTION



CEILING
UNITS



BUILT-IN
COOKER
HOODS



BUILT-
UNDER
COOKER
HOODS



WALL-
MOUNTED
COOKER
HOODS



ISLAND
COOKER
HOODS



COOKER
HOOD
ACCESSORIES



HOBS



INFO



NOVY DOWNDRAFT EXTRACTION

Opting for freedom of movement

Space in the kitchen is a luxury. Imagine that you can make optimum use of every surface, without disturbing visual elements. Our worktop extraction system captures the fumes immediately at the source, and disappears in a snap after use. For those who appreciate both refinement and efficiency.

- Extraction at the source with adjustable height
- Recirculation or discharge to the outside
- Visually incorporated



Special extraction tower

An adjustable height means that you catch the odours and fumes where they arise. This is also the most effective way to capture them: this is our advanced solution for an efficient approach to capture the fumes of your pots and pans.

Recirculation or extraction to the outside

There are two options for extracting fumes and odours: a traditional outlet to the outside or recirculation of the purified air.

The latter option is ideal for energy-efficient homes, or places where it is not possible to extract the air outside. The built-in recirculation box is equipped with a monoblock filter. This slows down the airflow, which ensures a maximum time for absorption of the unpleasant odours.





reddot design award
winner 2018



Novy Panorama

- Direct extraction at source, thanks to the adjustable height: 10, 20 and 30 cm
- Preset extraction function
- Semi-transparent extraction tower disappears invisibly into the hob
- 3 or 4 cooking zones + bridging functions
- Unique and elegant design
- Easy to maintain
- Surface and flush installation possible




DOWNDRAFT
EXTRACTION



Premium
Product distributed through a selection of partners.



Flex zones
Automatic or manual bridge function of 2 cooking zones.



3 adjustable positions
10, 20 & 30 cm; depending on the height of the cooking pots.






Recirculation
Recirculation is optional.



1821






	Outside dimensions (L x W) (cm)	Number of zones	Cooking zones (mm)	Cooking zones output (W)	Max. output (W)	Ref.
Induction hob Pro	88x52	4 	4 x 200x240	4 x 3700	7680	1821
Induction hob Power	88x52	3 	Ø280, 2 x 200x240	2 x 3000, 1 x 1850	6980	1831
Induction hob Power	88x52	4 	Ø185, Ø210, 2 x 200x240	1 x 1400, 2 x 3000, 1 x 1850	7680	1841

	Motor	Colour	Width (cm)	EEI	Maximum flow rate (m ³ /h)	Sound level during normal use in dB(A) (re 1 pW)	
						Minimum	Maximum
Cooker hood	Integrated	Black	81	B	691	37	57

Noise levels measured in accordance with IEC 60704-2-13 standards, flow rates according to IEC 61591.

**Technical specifications**

	Novy Panorama 1821	Novy Panorama 1831	Novy Panorama 1841
Controls			
Type of controls	Slider touch control	Touch control	Touch control
Control Colour	White	Red	Red
Glass built-in / Finish			
Finish	Round border	Round border	Round border
Surface / Flush	▪ / ▪	▪ / ▪	▪ / ▪
Black opaque glass	▪	▪	▪
Induction hob functions			
Number of power levels	9 + Power + Super Power	9 + Power	9 + Power
Automatic pot detection	▪		
Flexzones	▪ (2x)	▪ (1x)	▪ (1x)
Automatic flexzone bridge function	▪		
Manual flex zone bridge function	▪	▪	▪
Stop & Go	▪		
Safety lock hob	▪	▪	▪
Timer on each zone	▪	▪	▪
Count-up timer	▪	▪	▪
Automatic cooking	▪		
Keep-warm function	42, 70 and 94°		
Grill function	▪		
Cooking zones			
Cooking zone 1	Left	Left	Left
Dimensions (mm) / Power (Boost) W	200×240 / 2100 (3700)	Ø 280 / 2300 (3000)	Ø 185 / 1100 (1400)
Cooking zone 2	Left central	Central	Left central
Dimensions (mm) / Power (Boost) W	200×240 / 2100 (3700)	200×240 / 2100 (3000)	Ø 210 / 2300 (3000)
Cooking zone 3	Right central	Right	Right central
Dimensions (mm) / Power (Boost) W	200×240 / 2100 (3700)	200×240 / 1600 (1850)	200×240 / 2100 (3000)
Cooking zone 4	Right		Right
Dimensions (mm) / Power (Boost) W	200×240 / 2100 (3700)		200×240 / 1600 (1850)
			
Cooker hood functions			
Preset extraction function	▪	▪	▪
Manual suction function	▪	▪	▪
Number of speed settings	5+ 3 intensive	5+ 3 intensive	5+ 3 intensive
Run-on timer (min.)	10-30 (default setting)	10-30 (default setting)	10-30 (default setting)
Cleaning indicator for grease filter	▪	▪	▪
Cleaning indicator for recirculation filter	▪	▪	▪
Removable glass tower	▪	▪	▪
Extraction height tower (cm)	10, 20, 30	10, 20, 30	10, 20, 30
Collection container for cleaning	2 up, 2 downwards	2 up, 2 downwards	2 up, 2 downwards
Dimensions (mm)			
Dimensions device (W×D×H)	880×520×65	880×520×65	880×520×65
Dimensions cooker hood (W×D×H)	818×165×760-840	818×165×760-840	818×165×760-840
Exhaust opening diameter	89×222	89×222	89×222
Exhaust position	Central under (rear/front)	Central under (rear/front)	Central under (rear/front)
Opening	See p. 234-235	See p. 234-235	See p. 234-235
Technical characteristics			
Integrated motor	▪	▪	▪
Weight cooker hood / motor casing (kg)	50.1	50.1	50.1
Electrical connection value (W)	7680	6980	7680
Mains voltage (V)	230 V - 1P+N/2P/3P 400 V - 3P+N	230 V - 1P+N/2P/3P 400 V - 3P+N	230 V - 1P+N/2P/3P 400 V - 3P+N

Air quantity and sound level

Type	Maximum free flow rate (m ³ /h)	Air quantity (m ³ /h) / pressure (Pa)			Noise level dB(A) sound pressure (re20μPa) / sound power (re 1pW)		
		Minimum	Continuous	Power setting	Minimum	Continuous	Power setting
1821 Integrated motor	1160	193 / 40	475 / 204	691 / 443	27 / 37	46 / 57	56 / 65
1831 Integrated motor	1160	193 / 40	475 / 204	691 / 443	27 / 37	46 / 57	56 / 65
1841 Integrated motor	1160	193 / 40	475 / 204	691 / 443	27 / 37	46 / 57	56 / 65

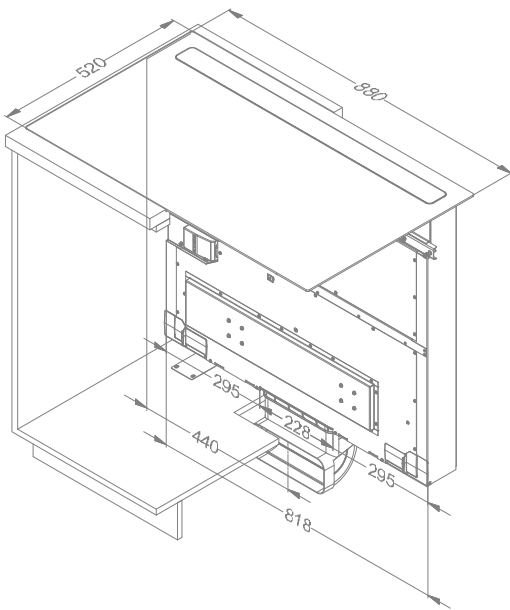
Noise levels measured in accordance with IEC 60704-2-13 standards, flow rates according to IEC 61591.

Technical drawing

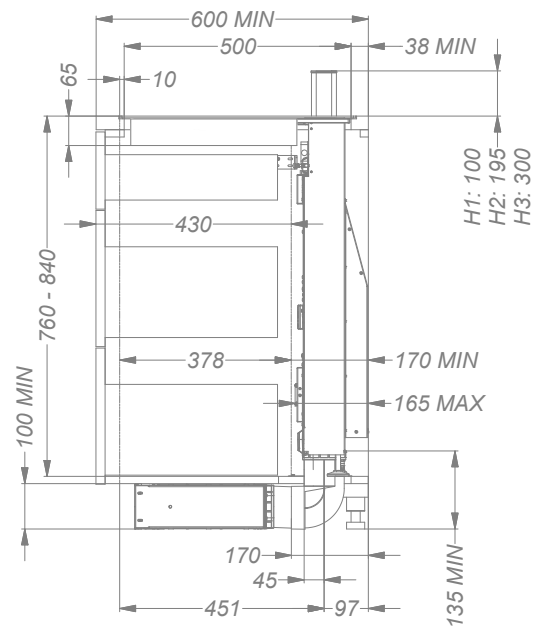
Novy Panorama

1821 / 1831 / 1841

3D drawing



Side view



Comment

Built-in lower cabinet from 90 cm without post and with removable back plate.

Accessories

	Reference	1821	1831	1841
Miscellaneous				
Grease filter left	1821.020	•	•	•
Grease filter right	1821.134	•	•	•
Side profiles kit for hob	1700.092	•	•	•
Grill plate	1700.093	•		
Installation kit for cabinet	1821.400	•	•	•
Input / output module	990.036	•	•	•



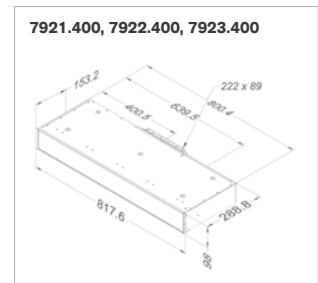


Accessories

	Reference	1821	1831	1841
Recirculation				
Built-in box (98 mm high) with monoblock filter (98×818×290 mm)				
White (≈RAL 9003)	7921.400	•	•	•
Black (≈RAL 9005)	7922.400	•	•	•
Grey (≈RAL 7030)	7923.400	•	•	•
Monoblock replacement filter	7910.055 (2×)	•	•	•



DOWNDRAFT
EXTRACTION



Ladediepte van 40 cm mogelijk



Afvoer naar buiten



Recirculatie





Novy One

- Direct extraction where the vapour is generated thanks to the central extraction tower
- Optimised airflow due to elegant finish in HX design
- Discreet tilt flap for directional extraction
- Extraction tower disappears almost invisibly into hob
- 4 cooking zones and useful functions
- Surface-mounting and flush-mounting possible




DOWNDRAFT
EXTRACTION



Premium
Product distributed through a selection of partners.



Flex zones
Automatic or manual bridge function of 2 cooking zones.





Recirculation
Recirculation is optional.



1811





	Outside dimensions (L x W) (cm)	Number of zones	Cooking zones (mm)	Cooking zones output (W)	Max. output (W)	Ref.
Induction hob Power	78 x 52	4 	4 x 240 x 200	2 x 3000 + 2 x 1850	7560	1801
Induction hob Pro	78 x 52	4 	4 x 240 x 200	4 x 3700	7560	1811

	Motor	Colour	Width (cm)	EEI	Maximum flow rate (m ³ /h)	Sound level during normal use in dB(A) (re 1 pW)	
						Minimum	Maximum
Cooker hood	Integrated	Black	11	B	563	51	70

Noise levels measured in accordance with IEC 60704-2-13 standards, flow rates according to IEC 61591.

**Technical specifications**

	One Power 1801	One Pro 1811
Controls		
Type of controls	Touch control	Slider touch control
Control Colour	Red	White
Glass built-in / Finish		
Finish	Round border	Round border
Surface / Flush	• / •	• / •
Black opaque glass	•	•
Induction hob functions		
Number of power levels	9 + Power	9 + Power + Super Power
Automatic pot detection		•
Flexzones	• (2x)	• (2x)
Automatic bridge function flexzones		•
Manual bridge function flexzones	•	•
Stop & Go		•
Safety lock hob	•	•
Timer on each zone	•	•
Independent cooking timer	•	•
Automatic cooking		•
Keep-warm function		42, 70 and 94
Grill function		•
Cooking zones		
Cooking zone 1	Front left	Front left
Dimensions (mm) / Power (Boost) W	240×200 / 1600 (1850)	240×200 / 2100 (3700)
Cooking zone 2	Rear left	Rear left
Dimensions (mm) / Power (Boost) W	240×200 / 2100 (3000)	240×200 / 2100 (3700)
Cooking zone 3	Right front	Right front
Dimensions (mm) / Power (Boost) W	240×200 / 2100 (3000)	240×200 / 2100(3700)
Cooking zone 4	Back right	Back right
Dimensions (mm) / Power (Boost) W	240×200 / 1600 (1850)	240×200 / 2100 (3700)
		
Cooker hood functions		
Number of speed settings	Continuous	Continuous
Run-on timer (min.)	10–30 (default setting)	10–30 (default setting)
Cleaning indicator for grease filter	•	•
Cleaning indicator for recirculation filter	•	•
Venting valve for aspiration direction	•	•
Extraction height tower (cm)	7, 11	7, 11
Collection container for cleaning	3 –fold	3 –fold
Dimensions (mm)		
Dimensions appliance (W×D×H)	780×520×192	780×520×180
Exhaust opening diameter	89×222	89×222
Exhaust position	Rear left / left downwards	Rear left / left downwards
Opening (B×D)	See p. 234–235	See p. 234–235
Technical characteristics		
Integrated motor	•	•
Weight cooker hood / motor casing (kg)	21	21
Electrical connection value (W)	7560	7560
Mains voltage (V)	230 V – 1P+N/2P/3P 400 V – 3P+N	230 V – 1P+N/2P/3P 400 V – 3P+N

Air quantity and sound level

Type	Maximum free flow rate (m ³ /h)	Air quantity (m ³ /h) / pressure (Pa)		Noise level dB(A) sound pressure (re20μPa) / sound power (re 1pW)	
		Minimum	Continuous	Minimum	Continuous
1801 Integrated motor	1063	224 / 111	563 / 617	40 / 51	60 / 70
1811 Integrated motor	1063	224 / 111	563 / 617	40 / 51	60 / 70

Noise levels measured in accordance with IEC 60704-2-13 standards, flow rates according to IEC 61591.

Technical drawing

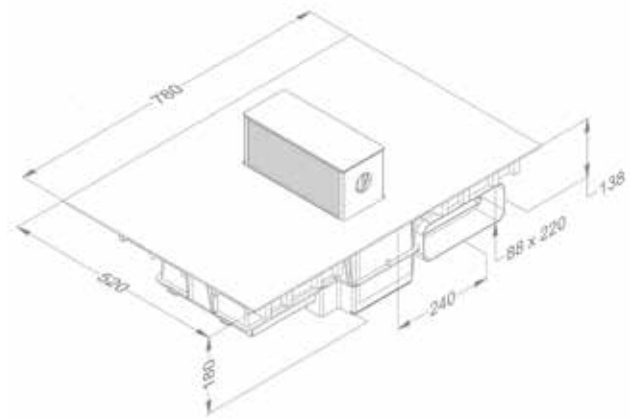
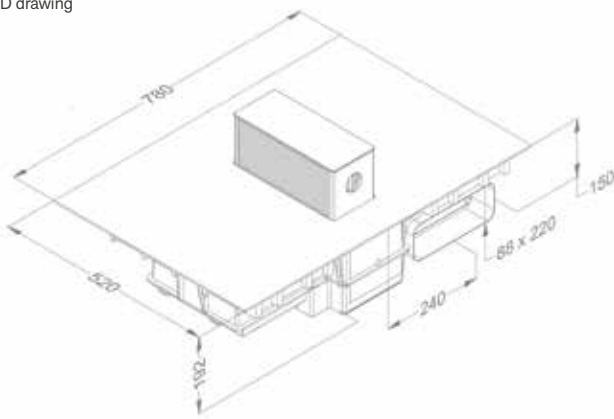
One Power

1801

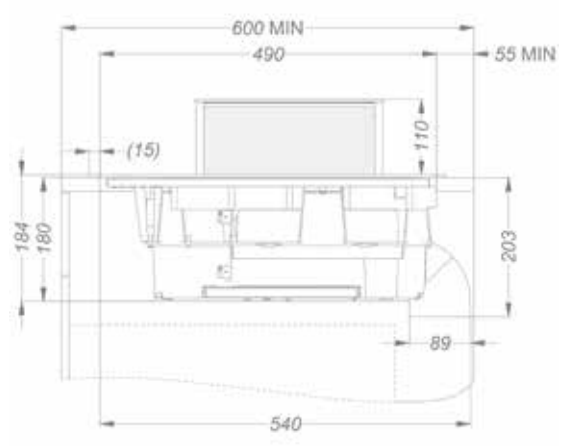
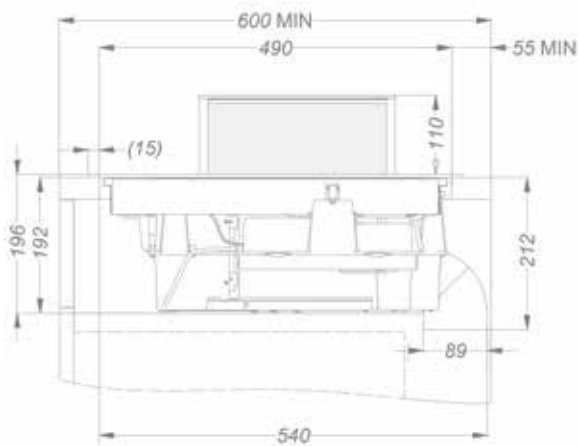
One Pro

1811

3D drawing



Side view



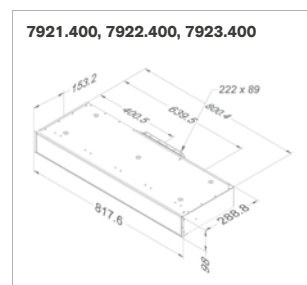
Accessories

	Reference	1801	1811
Miscellaneous			
Grease filter	99.001 (2×)	•	•
Side profiles kit for hob	1700.092	•	•
Input / output module	990.034	•	
Grill plate	1700.093		•



Accessories

	Reference	1801	1811
Recirculation			
Built-in box (98 mm high) with monoblock filter (98×818×290 mm)			
White (≈RAL 9003)	7921.400	•	•
Black (≈RAL 9005)	7922.400	•	•
Grey (≈RAL 7030)	7923.400	•	•
Monoblock replacement filter	7910.055 (2×)	•	•
Installation kit for recirculation (906.401 + 2x 906.402 + 906.404)			
White (≈RAL 9003)	1811.821	•	•
Black (≈RAL 9005)	1811.822	•	•
Grey (≈RAL 7030)	1811.823	•	•
Monoblock replacement filter	7910.055 (2×)	•	•









Novy Up

- Direct extraction where the vapour is generated thanks to the central extraction tower
- Manual operation of the extraction tower
- Adjustable flap with adjustable height for directional extraction
- Extraction tower disappears in between the domino hobs
- Choice of various cooking setups
- Surface-mounting and flush-mounting possible









DOWNDRAFT
EXTRACTION



Recirculation
Recirculation is optional.






	Outside dimensions (L x W) (cm)	Number of zones	Cooking zones (mm)	Cooking zones output (W)	Max. output (W)	Ref.
Induction hob Power	49 x 52	2 	2 x 240 x 200	3000 + 1850	3855	40 000
Induction hob Comfort	87 x 52	4 	2 x ø175, 2 x ø210	2x 3000 + 2x 1400	7555	40 002
Induction hob Power	87 x 52	4 	2 x 240 x 200	2x 3000 + 2x 1850	7555	40 004
Induction hob Power + Teppan	87 x 52	2 	2 x 240 x 200	3000 + 1850 + 2800	6655	40 006
Induction hob Power + Wok	87 x 52	2 	2 x 240 x 200	3000 + 1850 + 3200	7055	40 008

	Motor	Colour	Width (cm)	EEI	Maximum flow rate (m ³ /h)	Sound level during normal use in dB(A) (re 1 pW)	
						Minimum	Maximum
Cooker hood	Integrated	Black	11	B	537	57	61

Noise levels measured in accordance with IEC 60704-2-13 standards, flow rates according to IEC 61591.

**Technical specifications**

	Novy Up 40 000	Novy Up 40 002
Controls		
Type of controls	Touch control	Touch control
Control colour	Red	Red
Glass built-in / Finish		
Finish	Round border	Round border
Surface / flush	• / •	• / •
Black opaque glass	•	•
Induction hob functions		
Number of power levels	9 + Power	9 + Power
Flexzones	• (1 x)	
Manual bridge function flexzones	•	
Stop & Go		
Safety lock hob	•	•
Timer on each zone	•	•
Independent cooking timer	•	•
Keep-warm function		
Cooking zones		
Number of cooking zones	2	4
Cooking zone 1	Front left	Front left
Dimensions (mm) / Power (BOOST) (W)	240×200 / 1600 (1850)	175 / 1100 (1400)
Cooking zone 2	Rear left	Rear left
Dimensions (mm) / Power (BOOST) (W)	240×200 / 2100 (3000)	210 / 2300 (3000)
Cooking zone 3		Front right
Dimensions (mm) / Power (BOOST) (W)		175 / 1100 (1400)
Cooking zone 4		Rear right
Dimensions (mm) / Power (BOOST) (W)		210 / 2300 (3000)
Cooker hood functions		
Number of speed settings	3 + power	3 + power
Run-on timer (min)	10-30 (default setting)	10-30 (default setting)
Clearing indicator for grease filter	•	•
Clearing indicator for recirculation filter	•	•
Venting valve for aspiration direction	•	•
Extraction height tower (cm)	0, 10	0, 10
Collection container for cleaning	Fixed	Fixed
Tower operation	Manual	Manual
Dimensions (mm)		
Dimensions appliance (WxDxH)(mm)	492×520×228	874×520×228
Exhaust opening diameter (mm)	89×222	89×222
Exhaust position	Rear left / left downwards	Rear left / left downwards
Opening (WxD)	See p. 234–235	See p. 234–235
Technical characteristics		
Integrated motor	•	•
Weight cooker hood / motor casing (kg)	20,4	27,4
Electrical connection value (W)	3855	7555
Mains voltage (V)	230V - 1P+N/2P	230V - 1P+N/2P

Novy Up 40 004	Novy Up 40 006	Novy Up 40 008
Touch control	Touch control + slider	Touch control + slider
Red	Red	Red
Round border	Round border	Round border
▪ / ▪	▪ / ▪	▪ / ▪
▪	▪	▪
9 + Power	9 + Power	9 + Power
▪ (2x)	▪ (1x)	▪ (1x)
▪	▪	▪
▪	▪ (teppan)	▪ (wok)
▪	▪ (teppan)	▪ (wok)
▪	▪	▪
▪	▪	▪
	▪ (teppan)	▪ (wok)
4	4	3
Front left	Front left	Front left
240×200 / 1600 (1850)	240×200 / 1600 (1850)	240×200 / 1600 (1850)
Rear left	Rear left	Rear left
240×200 / 2100 (3000)	240×200 / 2100 (3000)	240×200 / 2100 (3000)
Front right	Front right	Front right
240×200 / 1600 (1850)	1400	360 / 2000 (3200)
Rear right	Rear right	
240×200 / 2100 (3000)	1400	
		
3 + power	3 + power	3 + power
10-30 (default setting)	10-30 (default setting)	10-30 (default setting)
▪	▪	▪
▪	▪	▪
▪	▪	▪
0, 10	0, 10	0, 10
Fixed	Fixed	Fixed
Manual	Manual	Manual
874×520×228	874×520×228	874×520×228
89×222	89×222	89×222
Rear left / left downwards	Rear left / left downwards	Rear left / left downwards
See p. 234-235	See p. 234-235	See p. 234-235
▪	▪	▪
27,4	30,4	31,6
7555	6655	7055
230V - 1P+N/2P	230V - 1P+N/2P	230V - 1P+N/2P



Air quantity and sound level

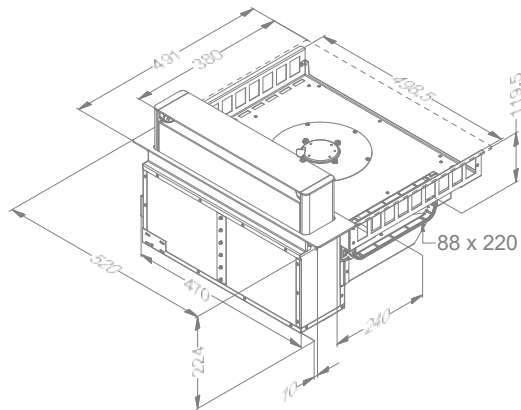
Type	Maximum free flow rate (m³/h)	Air quantity (m³/h) / pressure (Pa)			Noise level dB(A) sound pressure (re20µPa) / sound power (re 1pW)			
		Minimum	Continuous	Power setting	Minimum	Continuous	Power setting	
40 000	Integrated motor	750	406 / 177	515 / 302	537 / 464	46 / 57	51 / 61	52 / 63
40 002	Integrated motor	750	406 / 177	515 / 302	537 / 464	46 / 57	51 / 61	52 / 63
40 004	Integrated motor	750	406 / 177	515 / 302	537 / 464	46 / 57	51 / 61	52 / 63
40 006	Integrated motor	750	406 / 177	515 / 302	537 / 464	46 / 57	51 / 61	52 / 63
40 008	Integrated motor	750	406 / 177	515 / 302	537 / 464	46 / 57	51 / 61	52 / 63

Noise levels measured in accordance with IEC 60704-2-13 standards, flow rates according to IEC 61591.

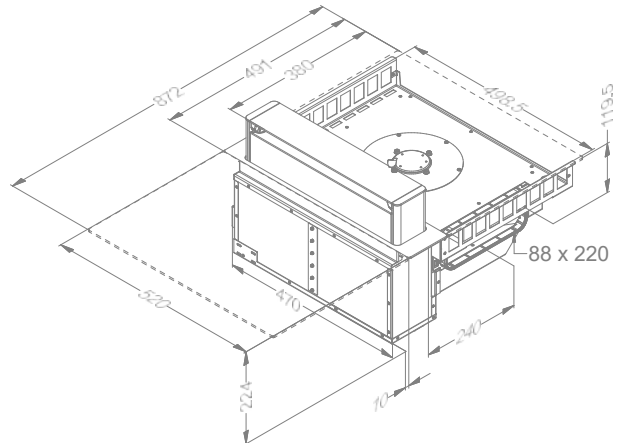
Technical drawing

Novy Up

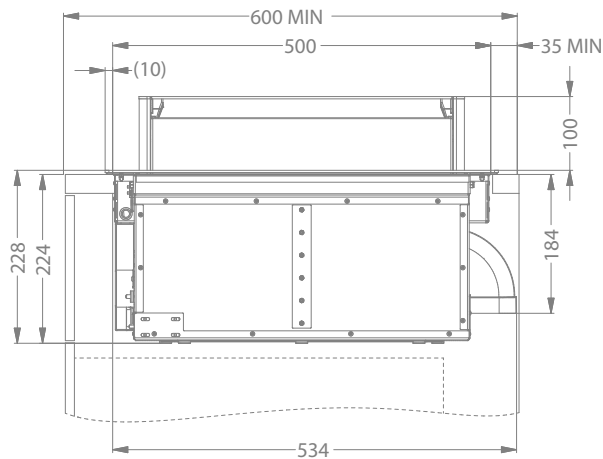
40 000



40 002 / 40 004 / 40 006 / 40 008



Side view

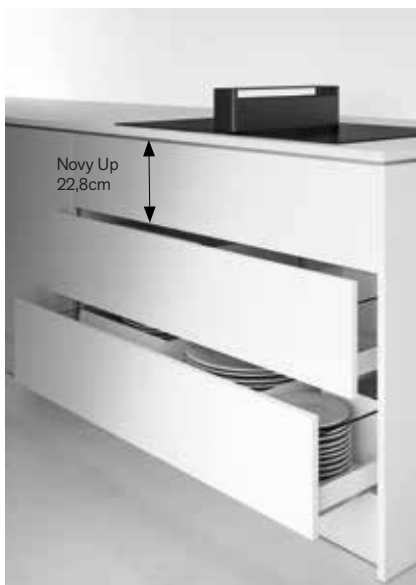


Installation options

	Type	Cooking zone	Total width (mm)
	40 000	2	491
	40 002 to 40 008	4	872
	40 000 + 40 002 to 40 008	6	1364
	40 002 to 40 008 + 40 002 to 40 008	8	1745

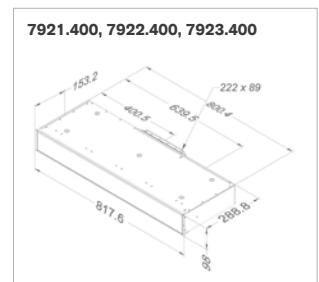


* Wok or Teppan Yaki should always be positioned to the right.



**Accessories**

	Reference	40 000-8
Miscellaneous		
Grease filter	99.002	•
Recirculation		
Built-in box (98 mm high) with monoblock filter (98×818×290 mm)		
White (≈RAL 9003)	7921.400	•
Black (≈RAL 9005)	7922.400	•
Grey (≈RAL 7030)	7923.400	•
Monoblock replacement filter	7910.055 (2×)	•
Installation kit for recirculation (906.401 + 2×906.402 + 906.404)		•
White (≈RAL 9003)	1811.821	•
Black (≈RAL 9005)	1811.822	•
Grey (≈RAL 7030)	1811.823	•
Monoblock replacement filter	7910.055 (2×)	•











Ceiling units

Cloud

Maxi Pure'line



Width

90 cm		
110 cm	■	
120 cm		
150 cm		■

Colour

White	■	■
Stainless steel		■
Black	■	

Motor

Integrated	■	
From a distance (inside)		
Not included		■

Exhaust

To the outside (recirculation optional)		■
Recirculation	■	



Cloud

- Fine lines for pure design
- Adjustable light intensity and colour temperature from 2,700 K to 5,000 K
- Recirculation as standard for additional planning options
- Limited installation height of only 17.6 cm



Premium
Product distributed through a selection of partners.



Remote control
Supplied as standard with Remote control.



InTouch
Function for controlling the cooker hood from the hob.



Distance
Maximum distance between cooker hood and hob.



Width (cm)	Motor	Colour	Flow setting 4 (m ³ /h)	Sound level during normal use in dB(A) (re 1 pW)		Ref.
				Minimum	Maximum	
110	Integrated	White	504	49	68	230
	Integrated	Black	504	49	68	232

Noise levels measured in accordance with IEC 60704-2-13 standards, flow rates according to IEC 61591.

Technical specifications

		Cloud 230 white / 232 black
Functions		
Controls		Remote control
Number of speed settings		4
With noise reduction		▪
Recirculation		▪ (monoblock)
InTouch function for hobs		▪
Auto-Stop, automatic switch-off after 3 hours		▪
Run-on timer (min.)		30
Cleaning indicator for grease filter		▪
Cleaning indicator for recirculation filter		▪
Lighting		
Type of lighting (number/W)		LED strip (31) / dimmable
Lighting colour (K)		Between 2,700 and 5,000 (functional and ambient mode)
Technical characteristics		
Colour		230 white (≈RAL 9003) 232 black (≈RAL 9005)
Integrated motor		▪ (not removable)
Weight cooker hood (kg)		35.5
Mains voltage (V) / Electrical connection value (W)		230 / 172
Dimensions		
Dimensions (W×D×H) (mm)		1100×600×176
Exhaust position		Left and right
Recommended installation height with an induction cooker (Hmin–Hmax) (mm)		600–1600
Recommended installation height with an electric or ceramic cooker (Hmin–Hmax) (mm)		600–1600
Recommended installation height with a gas cooker (Hmin–Hmax) (mm)		650–1600

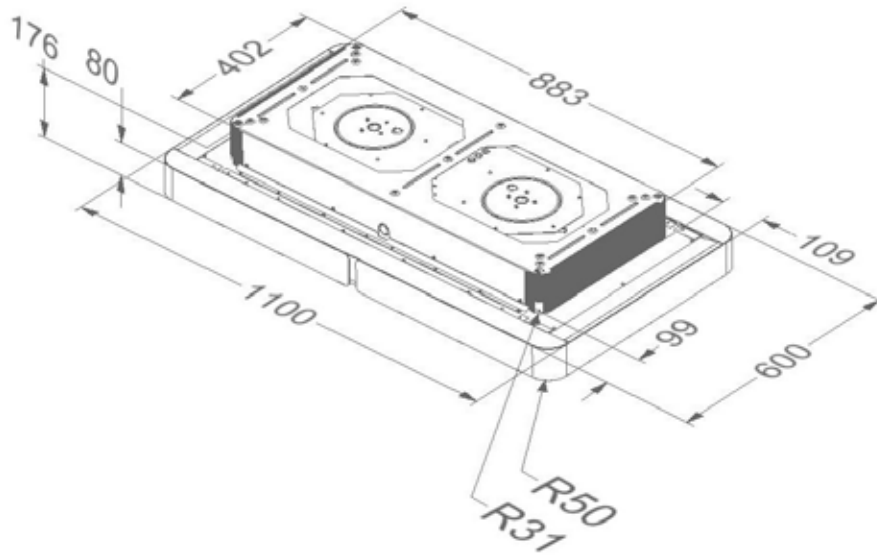
Air quantity and sound level

Type	Maximum free flow rate (m ³ /h)	Air quantity (m ³ /h) / pressure (Pa)				Noise level dB(A) sound pressure (re20μPa) / sound power (re 1pW)				
		Setting I	Setting II	Setting III	Setting IV	Setting I	Setting II	Setting III	Setting IV	
230 232	Integrated motor	1010	187	272	343	504	37 / 49	42 / 54	48 / 60	56 / 68

Noise levels measured in accordance with IEC 60704-2-13 standards, flow rates according to IEC 61591.



Technical drawings



Accessories

	Reference	230	232
Miscellaneous			
Monoblock replacement filters (set)	230.060	•	•
Grease filter (replacement)	230.020 (2×)	•	•
Mounting frame black	230.500	•	
Mounting frame white	230.510		•







CEILING
UNITS





Maxi Pure'line

- Extremely powerful
- Perfect for above an extra large cooking surface
- Industrial look
- No lighting, to suit your own lighting plan
- External lighting to be connected through the cooker hood and controlled via the cooker hood and/or remote control



CEILING UNITS



InTouch
Function for controlling the cooker hood from the hob.



Remote control
Supplied as standard with Remote control.



Distance
Maximum distance between cooker hood and hob.



Recirculation
Recirculation is optional.



Width (cm)	Motor	Colour	Flow power function (m ³ /h)	Sound level during normal use in dB(A) (re 1 pW)		Ref.
				Minimum	Maximum	
150	Not included ⁽¹⁾	Stainless steel	⁽¹⁾	⁽¹⁾	⁽¹⁾	855
	Not included ⁽¹⁾	White	⁽¹⁾	⁽¹⁾	⁽¹⁾	856

Noise levels measured in accordance with IEC 60704-2-13 standards, flow rates according to IEC 61591.

(1) This model should be connected to 2 internal motors, wall motors or flat roof motors (see accessories).

Technical specifications



Maxi Pure'line
855 stainless steel / 856 white

Functions

Controls	Buttons + remote control
Number of speed settings	3 + power function
Power setting with automatic downshift (min.)	6
Recirculation	Optional (in combination with 2 inside motors 245.999)
InTouch function for hobs	▪
Auto-Stop, automatic switch-off after 3 hours	▪
Run-on timer (min.)	10
Cleaning indicator for grease filter	▪
Cleaning indicator for recirculation filter	▪

Lighting

External lighting to connect and operate with remote control (optional) (W)	Max. 300 (or with relay > 300)
---	--------------------------------

Technical characteristics

Colour	855 stainless steel 856 white (≈RAL 9003)
Motor not included (suitable for remote motor inside, wall motor or flat roof motor outside)	▪ ⁽¹⁾
Weight cooker hood / motor casing (kg)	35 + motors
Mains voltage (V) / Electrical connection value (W)	230 / 0 + motors

Dimensions (mm)

Dimensions (W×D×H) (mm)	1460×670×90
Height of ceiling unit including mounting clamps (without the motor box) (mm)	133
Opening (LxW) (mm)	1438×648
Exhaust opening diameter (mm)	2×150
Exhaust position	2×top
Recommended installation height with an induction cooker (Hmin–Hmax) (mm)	600–1600
Recommended installation height with an electric or ceramic cooker(Hmin–Hmax) (mm)	600–1600
Recommended installation height with a gas cooker (Hmin–Hmax) (mm)	650–1600

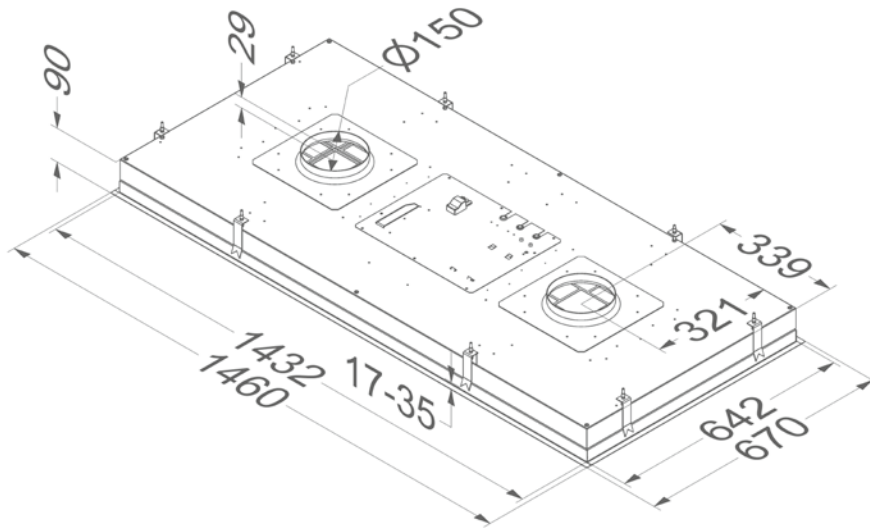
Air quantity and sound level

Type	Maximum free flow rate (m ³ /h)	Air quantity (m ³ /h) / pressure (Pa)				Noise level dB(A) sound pressure (re20μPa) / sound power (re 1pW)			
		Setting I	Setting II	Setting III	Power setting	Setting I	Setting II	Setting III	Power setting
855–856	⁽¹⁾	⁽¹⁾	⁽¹⁾	⁽¹⁾	⁽¹⁾	⁽¹⁾	⁽¹⁾	⁽¹⁾	⁽¹⁾

⁽¹⁾ This cooker hood should be connected to 2x remote motor inside, 2x wall motor or 2x roof motor (see accessories). The air volume/noise level depends on the type of motor and installation.

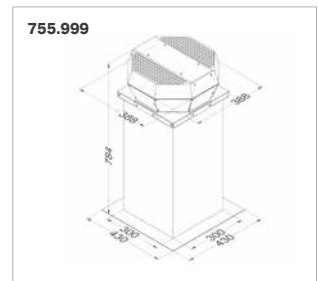
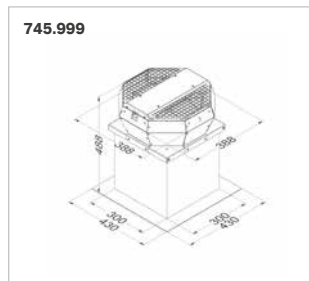
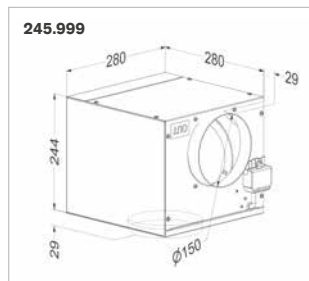


Technical drawings



Accessories

	Reference	855	856
Motor at a distance			
Remote motor for inside	245.999 (2×)	•	•
Wall motor, minimum 5 m between cooker hood and motor	445.999 (2×)	•	•
Roof motor 48.8 cm height	745.999 (2×)	•	•
Roof motor with noise reduction 78.4 cm height	755.999 (2×)	•	•
Technical details motors p. 198-199			
Miscellaneous			
Grease filter (replacement)	7400.020 (2×)	•	•
Adapter to connect a flat duct (exhaust direction 1x left, 1x right)	830.052 (2×)	•	•
Extension cable for remote motors (5 m)	7000.092 (2×)	•	•





Accessories

	Reference	855	856
Recirculation			
Exhaust box with monoblock filter (270×500×295 mm)			
White (≈RAL 9003)	841.400 (2×)	▪	▪
Black (≈RAL 9005)	842.400 (2×)	▪	▪
Grey (≈RAL 7030)	843.400 (2×)	▪	▪
Monoblock replacement filter for exhaust box 841.400, 842.400 and 843.400	830.055	▪	▪
Low built-in box (140 mm high) with monoblock filter (140×820×292 mm)			
White (≈RAL 9003)	7931.400 (2×)	▪	▪
Black (≈RAL 9005)	7932.400 (2×)	▪	▪
Grey (≈RAL 7030)	7933.400 (2×)	▪	▪
Monoblock replacement filter for exhaust box 7931.400, 7932.400 and 7933.400	7900.055 (2×)	▪	▪
Kit with monoblock filters (without exhaust box)	850.400 (2×)	▪	▪
Monoblock replacement filter for 850.400	7300.055	▪	▪

CEILING
UNITS





Pure'line Compact



- Flexible installation thanks to models with a compact motor; for a built-in height of only 19.5 cm
- Maximum efficiency but extremely quiet
- LED lighting warm white (2,700 K) adjustable to neutral white (4,000 K)
- Integrated dimmable LED lighting



Premium
Product distributed through a selection of partners.



InTouch
Function for controlling the cooker hood from the hob.



Distance
Maximum distance between cooker hood and hob.



Recirculation
Recirculation is optional.



Width (cm)	Motor	Colour	EEI	Flow power function (m ³ /h)	Sound level during normal use in dB(A) (re 1 pW)		Ref.
					Minimum	Maximum	
90	Integrated, compact motor	Stainless steel	B	650	41	61	6810
	Integrated, compact motor	White	B	650	41	61	6811
	Integrated, compact motor	Black	B	650	41	61	6812
120	Integrated, compact motor	Stainless steel	B	651	38	59	6820
	Integrated, compact motor	White	B	651	38	59	6821
	Integrated, compact motor	Black	B	651	38	59	6822

Noise levels measured in accordance with IEC 60704-2-13 standards, flow rates according to IEC 61591.

Technical specifications



Pure'line Compact 90 cm
6810 stainless steel / 6811 white / 6812 black



Pure'line Compact 120 cm
6820 stainless steel / 6821 white / 6822 black

Functions

Controls	Buttons + remote control	Buttons + remote control
Number of speed settings	3 + power function	3 + power function
Power setting with automatic downshift (min.)	6	6
With noise reduction	▪	▪
Recirculation	Optional (monoblock)	Optional (monoblock)
InTouch function for hobs	▪	▪
Auto-Stop, automatic switch-off after 3 hours	▪	▪
Run-on timer (min.)	10	10
Cleaning indicator for grease filter	▪	▪
Cleaning indicator for recirculation filter	▪	▪

Lighting

Type of lighting (number/W)	LED (4×2) / dimmable	LED (4×2) / dimmable
Lighting colour (K)	2,700 or 4,000	2,700 or 4,000
External lighting to connect and operate with remote control	Optional (kit 990.030)	Optional (kit 990.030)

Technical characteristics

Colour	6810 stainless steel 6811 white (≈RAL 9003) 6812 black (≈RAL 9005)	6810 stainless steel 6811 white (≈RAL 9003) 6812 black (≈RAL 9005)
Integrated motor	▪ (not removable)	▪ (not removable)
Weight cooker hood / motor casing (kg)	27.8	30.8
Mains voltage (V) / Electrical connection value (W)	230 / 171	230 / 171

Dimensions

Dimensions (W×D×H) (mm)	868×508×195	1168×508×195
Opening (L×W) (mm)	845×485	1145×485
Exhaust opening diameter (mm)	89×222	89×222
Exhaust position	Right / left / front / rear	Right / left / front / rear
Recommended installation height with an induction cooker (Hmin–Hmax) (mm)	600–1600	600–1600
Recommended installation height with an electric or ceramic cooker (Hmin–Hmax) (mm)	600–1600	600–1600
Recommended installation height with a gas cooker (Hmin–Hmax) (mm)	650–1600	650–1600



Air quantity and sound level

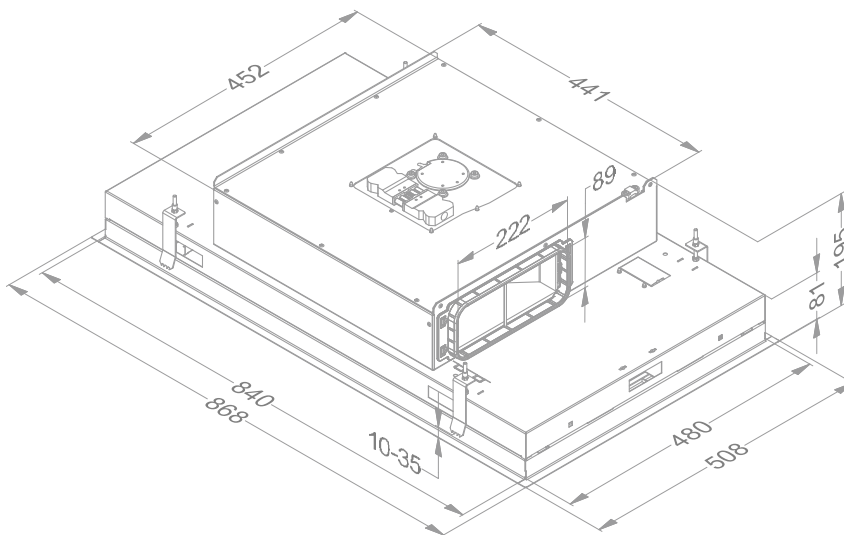
Type	Maximum flow rate (m ³ /h)	Air quantity (m ³ /h) / pressure (Pa)				Noise level dB(A) sound pressure (re20μPa) / sound power (re 1pW)				
		Setting I	Setting II	Setting III	Power setting	Setting I	Setting II	Setting III	Power setting	
6810, 6811, 6812	Integrated motor	750	244 / 40	443 / 142	581 / 266	650 / 483	29 / 41	43 / 55	49 / 61	53 / 65
6820, 6821, 6822	Integrated motor	750	240 / 40	444 / 140	582 / 265	651 / 484	27 / 38	40 / 52	47 / 59	51 / 63

Noise levels measured in accordance with IEC 60704-2-13 standards, flow rates according to IEC 61591.

Technical drawings

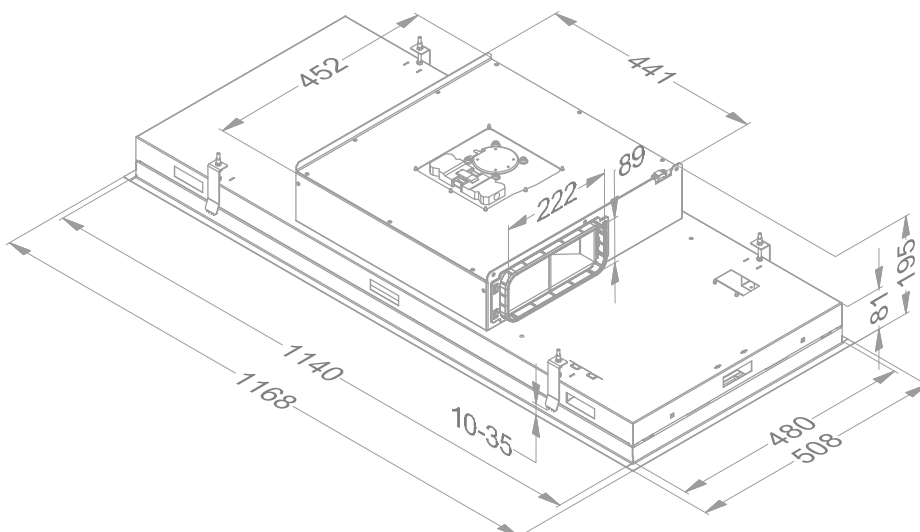
Pure'line Compact 90 cm

6810 / 6811 / 6812



Pure'line Compact 120 cm

6820 / 6821 / 6822



Accessories

	Reference	6810	6811	6812	6820	6821	6822
Miscellaneous							
Grease filter (replacement)	6830.020 (2x)	•	•	•	•	•	•
Kit connection with external cover and/or lighting	990.030	•	•	•	•	•	•
Flat flexible tube (89×222×750 mm)	906.408	•	•	•	•	•	•

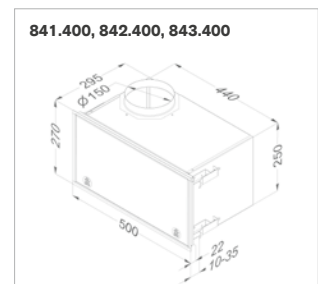




Accessories

	Reference	6810	6811	6812	6820	6821	6822
Recirculation							
Exhaust box with monoblock filter (270×500×295 mm)							
White (≈RAL 9003)	841.400	•	•	•	•	•	•
Black (≈RAL 9005)	842.400	•	•	•	•	•	•
Grey (≈RAL 7030)	843.400	•	•	•	•	•	•
Monoblock replacement filter for exhaust box 841.400, 842.400 and 843.400	830.055	•	•	•	•	•	•
Low built-in box (140 mm high) with monoblock filter (140×820×292 mm)							
White (≈RAL 9003)	7931.400	•	•	•	•	•	•
Black (≈RAL 9005)	7932.400	•	•	•	•	•	•
Grey (≈RAL 7030)	7933.400	•	•	•	•	•	•
Monoblock replacement filter for exhaust box 7931.400, 7932.400 and 7933.400	7900.055 (2×)	•	•	•	•	•	•

CEILING UNITS







Pure'line with lighting



- Maximum efficiency but extremely quiet
- LED lighting warm white (2,700 K) adjustable to neutral white (4,000 K)
- Integrated dimmable LED lighting
- Flexible installation thanks to models
 - With a Cubic motor; which can be rotated in all directions and is removable
 - Without a motor; for use with an external motor

**InTouch**

Function for controlling the cooker hood from the hob.

**Distance**

Maximum distance between cooker hood and hob.

**Motor housing**

Rotating motor housing that can be installed remotely.

**Recirculation**

Recirculation is optional.



Width (cm)	Motor	Colour	EEI	Flow power function (m ³ /h)	Sound level during normal use in dB(A) (re 1 pW)		Ref.
					Minimum	Maximum	
90	Integrated Cubic motor or remote inside	Stainless steel	A+	634	34	55	6830
	Integrated Cubic motor or remote inside	White	A+	634	34	55	6831
	Not included ⁽¹⁾	Stainless steel		(1)	(1)	(1)	6835
	Not included ⁽¹⁾	White		(1)	(1)	(1)	6836
120	Integrated Cubic motor or remote inside	Stainless steel	A+	615	35	55	6840
	Integrated Cubic motor or remote inside	White	A+	615	35	55	6841
	Not included ⁽¹⁾	Stainless steel		(1)	(1)	(1)	6845
	Not included ⁽¹⁾	White		(1)	(1)	(1)	6846

Noise levels measured in accordance with IEC 60704-2-13 standards, flow rates according to IEC 61591.

(1) This model should be connected to a wall motor or roof motor (see accessories).

Technical specifications



Pure'line 90 cm
6830 stainless steel /
6831 white



Pure'line 90 cm
6835 stainless steel /
6836 white
Not included



Pure'line 120 cm
6840 stainless steel /
6841 white



Pure'line 120 cm
6845 stainless steel /
6846 white
Not included

Functions

Controls	Buttons + remote control	Buttons + remote control	Buttons + remote control	Buttons + remote control
Number of speed settings	3 + power function	3 + power function	3 + power function	3 + power function
Power setting with automatic downshift (min.)	6	6	6	6
With noise reduction	▪		▪	
Recirculation	Optional (monoblock)		Optional (monoblock)	
InTouch function for hobs	▪	▪	▪	▪
Auto-Stop, automatic switch-off after 3 hours	▪	▪	▪	▪
Run-on timer (min.)	10	10	10	10
Cleaning indicator for grease filter	▪	▪	▪	▪
Cleaning indicator for recirculation filter	▪		▪	

Lighting

Type of lighting (number/W)	LED (4×2) / dimmable	LED (4×2) / dimmable	LED (4×2) / dimmable	LED (4×2) / dimmable
Lighting colour (K)	2,700 or 4,000	2,700 or 4,000	2,700 or 4,000	2,700 or 4,000
External lighting to connect and operate with remote control	Optional (kit 990.030)	Optional (kit 990.030)	Optional (kit 990.030)	Optional (kit 990.030)

Technical characteristics

Colour	6830 stainless steel 6831 white (≈RAL 9003)	6835 stainless steel 6836 white (≈RAL 9003)	6840 stainless steel 6841 white (≈RAL 9003)	6845 stainless steel 6846 white (≈RAL 9003)
Integrated motor	▪		▪	
Option to install the remote motor inside	▪		▪	
Motor not included (suitable for wall motor, flat roof motor outside)		▪ ⁽¹⁾		▪ ⁽¹⁾
Weight cooker hood / motor casing (kg)	21.5 / 6	16.5 + motor	24.5 / 6	19.5 + motor
Mains voltage (V) / Electrical connection value (W)	230 / 117	230 / 13 + motor	230 / 118	230 / 13 + motor

Dimensions

Dimensions (W×D×H) (mm)	868×508×319	868×508×81	1168×508×319	1168×508×81
Height of ceiling unit including mounting clamps (without the motor box) (mm)	133	133	133	133
Opening (L×W) (mm)	845×485	845×485	1145×485	1145×485
Exhaust opening diameter (mm)	150	150	150	150
Exhaust position	Top / right / left / front / rear	Top	Top / right / left / front / rear	Top
Recommended installation height with an induction cooker (Hmin–Hmax) (mm)	600–1600	600–1600	600–1600	600–1600
Recommended installation height with an electric or ceramic cooker (Hmin–Hmax) (mm)	600–1600	600–1600	600–1600	600–1600
Recommended installation height with a gas cooker (Hmin–Hmax) (mm)	650–1600	650–1600	650–1600	650–1600



Air quantity and sound level

Ref.		Maximum flow rate (m ³ /h)	Air quantity (m ³ /h) / pressure (Pa)				Noise level dB(A) sound pressure (re20μPa) / sound power (re 1pW)			
			Setting I	Setting II	Setting III	Power setting	Setting I	Setting II	Setting III	Power setting
6830, 6831	Integrated motor	815	234 / 66	416 / 238	549 / 381	634 / 379	22 / 34	35 / 48	42 / 55	46 / 59
6835, 6836	Not included	(1)	(1)	(1)	(1)	(1)	(1)	(1)	(1)	(1)
6840, 6841	Integrated motor	815	246 / 84	407 / 251	535 / 382	615 / 384	24 / 35	35 / 47	42 / 55	46 / 58
6845, 6846	Not included	(1)	(1)	(1)	(1)	(1)	(1)	(1)	(1)	(1)

Noise levels measured in accordance with IEC 60704-2-13 standards, flow rates according to IEC 61591.

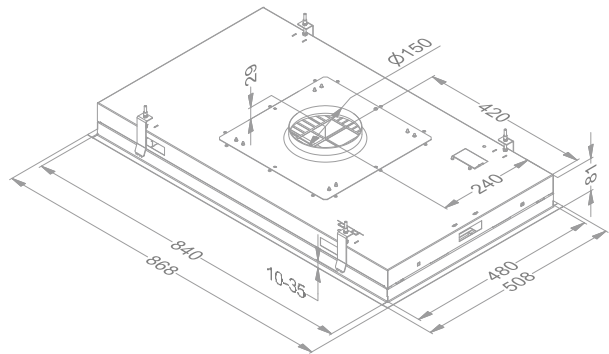
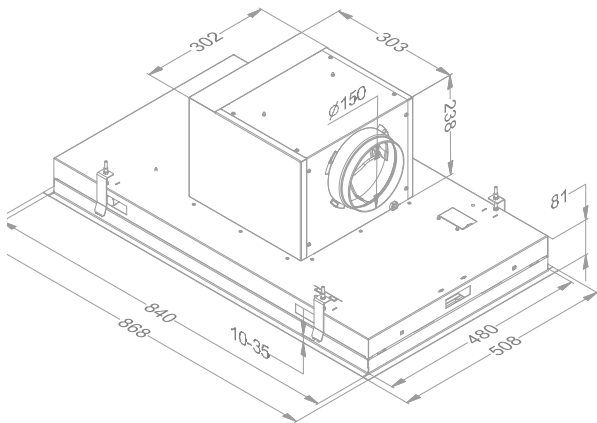
CEILING UNITS

Technical drawings

Pure'line 90 cm

6830 / 6831

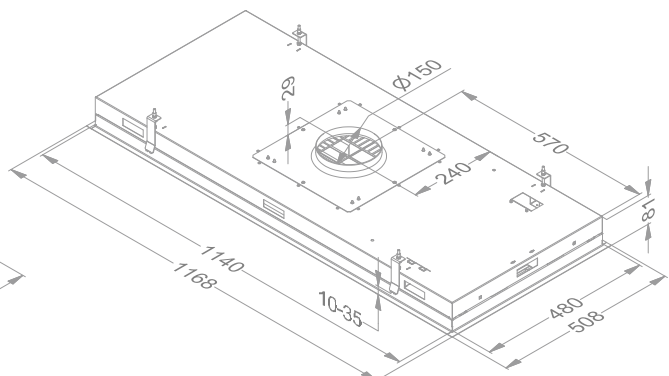
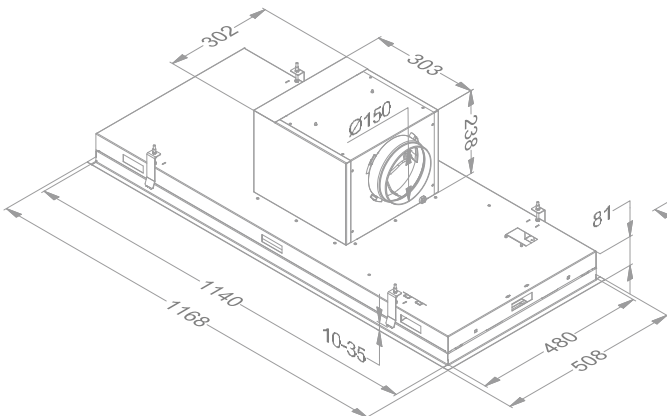
6835 / 6836



Pure'line 120 cm

6840 / 6841

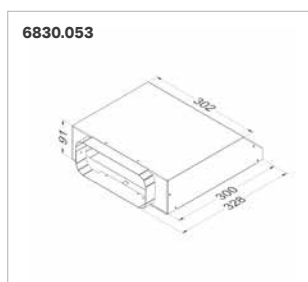
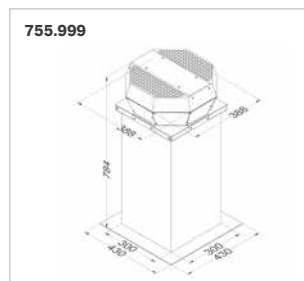
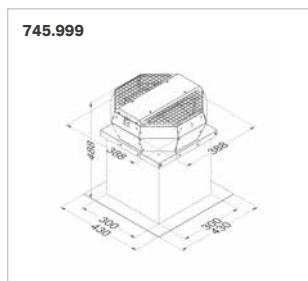
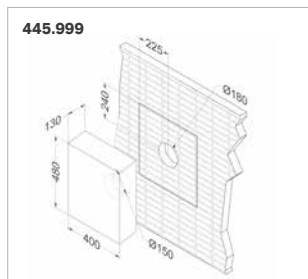
6845 / 6846



(1) These models should be connected to a wall motor or roof motor (see accessories). The air volume/noise level depends on the type of motor and installation.

Accessories

	Reference	6830	6831	6835	6836	6840	6841	6845	6846
Motor at a distance									
Wall motor, minimum 5 m between cooker hood and motor	445.999			•	•			•	•
Roof motor 48.8 cm height	745.999			•	•			•	•
Roof motor with noise reduction 78.4 cm height	755.999			•	•			•	•
Technical details motors p. 198-199									
Miscellaneous									
Grease filter (replacement)	6830.020 (2×)	•	•	•	•	•	•	•	•
Adapter to connect a flat duct (exhaust direction right, left, front, behind)	6830.053	•	•	•	•	•	•	•	•
Extension cable for remote motors (5 m)	7000.092			•	•			•	•
Extension cable for remote motors (5 m)	7000.094	•	•			•	•		
Kit connection with external cover and/or lighting	990.030	•	•	•	•	•	•	•	•

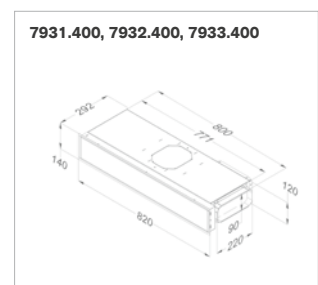




Accessories

	Reference	6830	6831	6835	6836	6840	6841	6845	6846
Recirculation									
Exhaust box with monoblock filter (270×500×295 mm)									
White (≈RAL 9003)	841.400	•	•			•	•		
Black (≈RAL 9005)	842.400	•	•			•	•		
Grey (≈RAL 7030)	843.400	•	•			•	•		
Monoblock replacement filter for exhaust box 841.400, 842.400 and 843.400	830.055	•	•			•	•		
Low built-in box (140 mm high) with monoblock filter (140×820×292 mm)									
White (≈RAL 9003)	7931.400	•	•			•	•		
Black (≈RAL 9005)	7932.400	•	•			•	•		
Grey (≈RAL 7030)	7933.400	•	•			•	•		
Monoblock replacement filter for exhaust box 7931.400, 7932.400 and 7933.400	7900.055 (2×)	•	•			•	•		
Kit with monoblock filters (without exhaust box)	6830.060	•	•			•	•		

CEILING UNITS







Pure'line without lighting

- Maximum efficiency but extremely quiet
- Flexible installation thanks to models
 - With a Cubic motor; which can be rotated in all directions and is removable
 - Without a motor; for use with an external motor
- No lighting, to suit your own lighting plan
- External lighting to be connected through the cooker hood and controlled via the cooker hood and/or remote control

**InTouch**

Function for controlling the cooker hood from the hob.

**Distance**

Maximum distance between cooker hood and hob.

**Motor housing**

Rotating motor housing that can be installed remotely.

**Recirculation**

Recirculation is optional.



Width (cm)	Motor	Colour	EEI	Flow power function (m ³ /h)	Sound level during normal use in dB(A) (re 1 pW)		Ref.
					Minimum	Maximum	
90	Integrated Cubic motor / remote inside	Stainless steel	A++	624	35	55	6833
	Integrated Cubic motor / remote inside	White	A++	624	35	55	6834
	Not included ⁽¹⁾	Stainless steel		(1)	(1)	(1)	6838
	Not included ⁽¹⁾	White		(1)	(1)	(1)	6839
120	Integrated Cubic motor / remote inside	Stainless steel	A++	611	36	55	6843
	Integrated Cubic motor / remote inside	White	A++	611	36	55	6844
	Not included ⁽¹⁾	Stainless steel		(1)	(1)	(1)	6848
	Not included ⁽¹⁾	White		(1)	(1)	(1)	6849

Noise levels measured in accordance with IEC 60704-2-13 standards, flow rates according to IEC 61591.

(1) This model should be connected to a wall motor or roof motor (see accessories).

Technical specifications



Pure'line 90 cm
6833 stainless steel /
6834 white



Pure'line 90 cm
6838 stainless steel /
6839 white
Not included



Pure'line 120 cm
6843 stainless steel /
6844 white



Pure'line 120 cm
6848 stainless steel /
6849 white
Not included

Functions

Controls	Buttons + remote control	Buttons + remote control	Buttons + remote control	Buttons + remote control
Number of speed settings	3 + power function	3 + power function	3 + power function	3 + power function
Power setting with automatic downshift (min.)	6	6	6	6
With noise reduction	▪		▪	
Recirculation	Optional (monoblock)		Optional (monoblock)	
InTouch function for hobs	▪	▪	▪	▪
Auto-Stop, automatic switch-off after 3 hours	▪	▪	▪	▪
Run-on timer (min.)	10	10	10	10
Cleaning indicator for grease filter	▪	▪	▪	▪
Cleaning indicator for recirculation filter	▪		▪	

Lighting

External lighting to connect and operate with remote control (W)	Max. 300 (or with relay >300)	Max. 300 (or with relay >300)	Max. 300 (or with relay >300)	Max. 300 (or with relay >300)

Technical characteristics

Colour	6833 stainless steel 6834 white (≈RAL 9003)	6838 stainless steel 6839 white (≈RAL 9003)	6843 stainless steel 6844 white (≈RAL 9003)	6848 stainless steel 6849 white (≈RAL 9003)
Integrated motor	▪		▪	
Option to install the remote motor inside	▪		▪	
Motor not included (suitable for wall motor, flat roof motor outside)		▪ (1)		▪ (1)
Weight cooker hood / motor casing (kg)	21.5 / 6	16.5 + motor	24.5 / 6	19.5 + motor
Mains voltage (V) / Electrical connection value (W)	230 / 105	230 / 0 + motor	230 / 105	230 / 0 + motor

Dimensions

Dimensions (W×D×H) (mm)	868×508×319	868×508×81	1168×508×319	1168×508×81
Height of ceiling unit including mounting clamps (without the motor box) (mm)	133	133	133	133
Opening (L×W) (mm)	845×485	845×485	1145×485	1145×485
Exhaust opening diameter (mm)	150	150	150	150
Exhaust position	Top / right / left / front / rear	Top	Top / right / left / front / rear	Top
Recommended installation height with an induction cooker (Hmin–Hmax) (mm)	600–1600	600–1600	600–1600	600–1600
Recommended installation height with an electric or ceramic cooker (Hmin–Hmax) (mm)	600–1600	600–1600	600–1600	600–1600
Recommended installation height with a gas cooker (Hmin–Hmax) (mm)	650–1600	650–1600	650–1600	650–1600

(1) These models should be connected to a wall motor or roof motor (see accessories). The air volume/noise level depends on the type of motor and installation.



Air quantity and sound level

Type	Maximum flow rate (m ³ /h)	Air quantity (m ³ /h) / pressure (Pa)				Noise level dB(A) sound pressure (re20μPa) / sound power (re 1pW)				
		Setting I	Setting II	Setting III	Power setting	Setting I	Setting II	Setting III	Power setting	
6833, 6834	Integrated motor	815	256 / 86	417 / 235	549 / 382	624 / 382	24 / 35	35 / 47	42 / 55	46 / 58
6838, 6839	Not included	(1)	(1)	(1)	(1)	(1)	(1)	(1)	(1)	(1)
6843, 6844	Integrated motor	815	227 / 69	398 / 240	530 / 381	611 / 382	26 / 36	35 / 46	42 / 55	46 / 57
6848, 6849	Not included	(1)	(1)	(1)	(1)	(1)	(1)	(1)	(1)	(1)

Noise levels measured in accordance with IEC 60704-2-13 standards, flow rates according to IEC 61591.

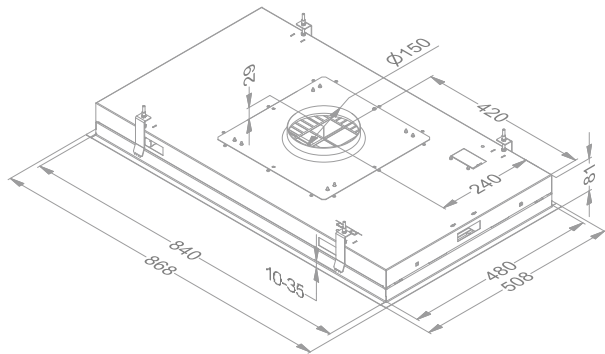
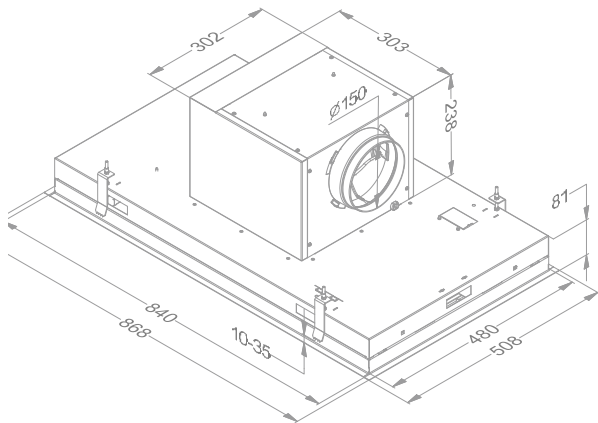
CEILING
UNITS

Technical drawings

Pure'line 90 cm

6833 / 6834

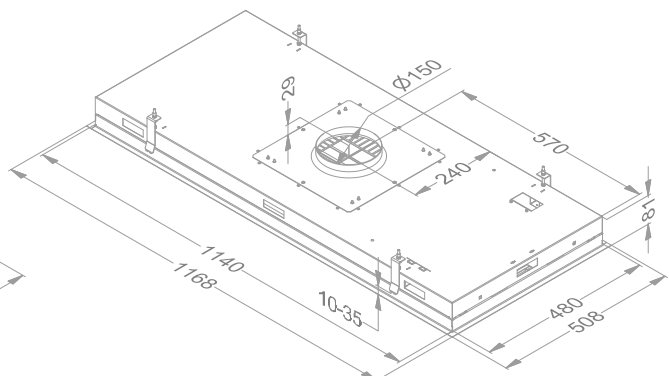
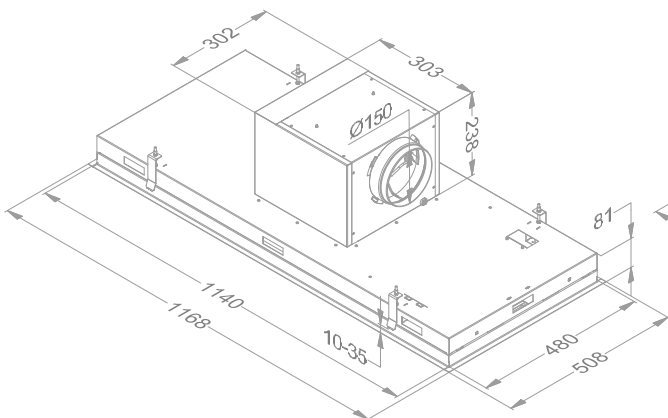
6838 / 6839



Pure'line 120 cm

6843 / 6844

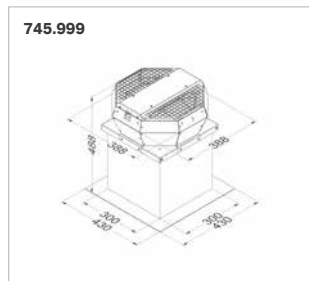
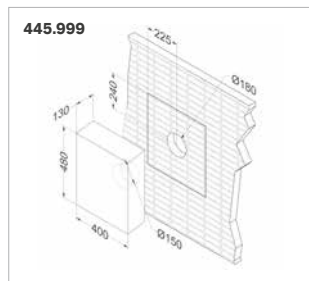
6848 / 6849



(1) These models should be connected to a wall motor or roof motor (see accessories). The air volume/noise level depends on the type of motor and installation.

Accessories

	Reference	6833	6834	6838	6839	6843	6844	6848	6849
Motor at a distance									
Wall motor, minimum 5 m between cooker hood and motor	445.999			•	•			•	•
Roof motor 48.8 cm height	745.999			•	•			•	•
Roof motor with noise reduction 78.4 cm height	755.999			•	•			•	•
Technical details motors p. 198-199									
Miscellaneous									
Grease filter (replacement)	6830.020 (2×)	•	•	•	•	•	•	•	•
Adapter to connect a flat duct (exhaust direction right, left, front, behind)	6830.053	•	•	•	•	•	•	•	•
Extension cable for remote motors (5 m)	7000.092			•	•			•	•
Extension cable for remote motors (5 m)	7000.094	•	•			•	•		
Kit connection with external cover and/or lighting	990.030	•	•	•	•	•	•	•	•





Accessories

	Reference	6833	6834	6838	6839	6843	6844	6848	6849
Recirculation									
Exhaust box with monoblock filter (270×500×295 mm)									
White (≈RAL 9003)	841.400	•	•			•	•		
Black (≈RAL 9005)	842.400	•	•			•	•		
Grey (≈RAL 7030)	843.400	•	•			•	•		
Monoblock replacement filter for exhaust box 841.400, 842.400 and 843.400	830.055	•	•			•	•		
Low built-in box (140 mm high) with monoblock filter (140×820×292 mm)									
White (≈RAL 9003)	7931.400	•	•			•	•		
Black (≈RAL 9005)	7932.400	•	•			•	•		
Grey (≈RAL 7030)	7933.400	•	•			•	•		
Monoblock replacement filter for exhaust box 7931.400, 7932.400 and 7933.400	7900.055 (2×)	•	•			•	•		
Kit with monoblock filters (without exhaust box)	6830.060	•	•			•	•		

CEILING UNITS

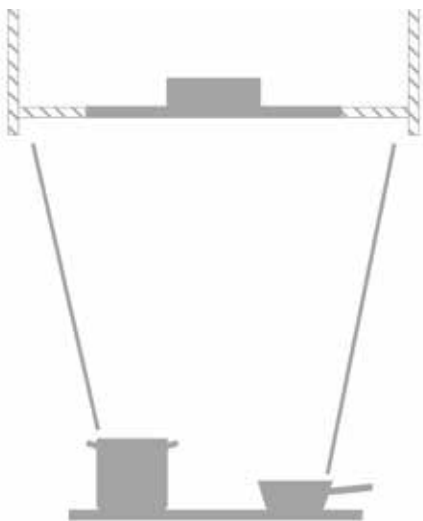


Step-by-step plan

The following 5-step plan helps you find your way in choosing the right Novy ceiling unit.

Step 1 Width of the ceiling unit

Cooking vapours do not rise straight up, instead they fan out over an angle of between 10° and 15°. For ideal results the cooker hood must be at least the full width of the hob. The Novy ceiling units are available in 90 cm, 110 cm, 120 cm and 150 cm.



Step 2 LED lighting

With LED lights

The ceiling unit has dual LED lights for which the colour temperature can be changed from 2,700 K (warm white) to 4,000 K (neutral white)

- dimmable
- soft on/off

Without LED lights

For a minimalistic design. To these ceiling units you can connect external lighting (max. 300 W), which can be operated through the cooker hood, remote control or InTouch technology.

Step 3 Recirculation or exhaust to the outside

Recirculation

If extraction to the outside is not an option, you can choose recirculation instead. For ceiling units it is possible to choose

- 2 types of built-in boxes, each in 3 colours with monoblock filter
- a basic kit, whereby the exhaust grille to return the air to the kitchen is provided by the customer.

Cloud has recirculation as a standard.

Duct out

Novy offers a wide range of installation accessories on p. 200

Step 4

Ceiling unit installation options

The Pure'line ceiling unit can be installed in 2 ways:

- flush-mounted in the ceiling
- in an alcove or a self-constructed chimney

The maximum installation height (between the hob and the underside of the ceiling unit) is 160 cm.

Installation in an alcove or self-constructed chimney

For an efficient operation, it is important that the entire construction in which the ceiling unit is installed is at least the same width and depth as the hob. In addition, edging of 5 to 10 cm depth will ensure that fewer vapours can escape.



Installation in the ceiling

In this type of installation the ceiling unit is installed in a suspended ceiling and usually covers the entire kitchen. Because the unit is flush with the ceiling, vapours cannot rise higher than the unit itself and are captured along the edges.



Mounting onto the ceiling

The Cloud ceiling unit only needs to be screwed to the ceiling and does not require any opening in the ceiling. Never before has it been this easy to install a cooker hood. Make sure, however, that your ceiling is sufficiently strong.



Adapter for flat duct with limited built-in height

If the built-in depth is limited, it is possible to remove the Cubic motor from the ceiling unit. In this situation, an optional adaptor can be ordered. The adaptor is placed directly on the ceiling unit and connected to a flat rectangular duct. The motor is then installed in a different location. Please note that the entrance to the motor is round. With adapter 6830.053 the built-in height can be limited to 17,3 cm and with 830.052 to 18,5 cm.

6830.053 Adaptor for Pure'line. exhaust direction can be turned to the right, left, front or rear

830.052 Adaptor for Maxi Pure'line (order 2x).
Exhaust direction 1x left and 1x right



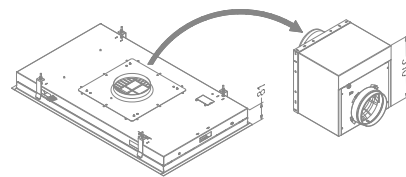
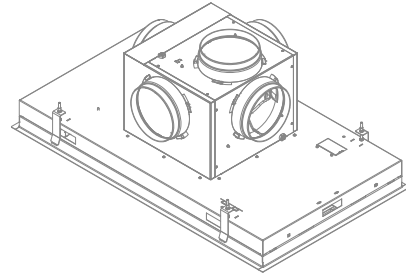
Step 5

Type of motor

Ceiling unit with a Cubic motor

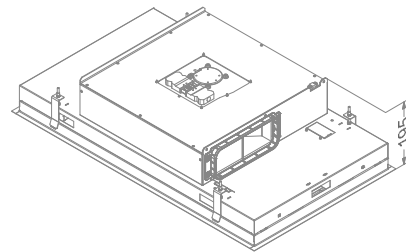
The integrated Cubic motor offers the necessary flexibility, because the exhaust can be rotated in all directions (right, left, front, rear or above)..

The Cubic motor can also be removed and placed elsewhere in the home. The 4 m cable (included) connects the ceiling unit with the motor.



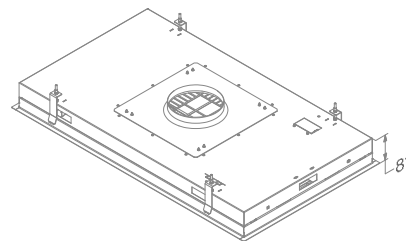
Ceiling unit with compact motor

The ceiling unit, including the compact motor, has a built-in height of only 19.5 cm. The exhaust can be turned to the right, left, front or rear. This motor cannot be removed.



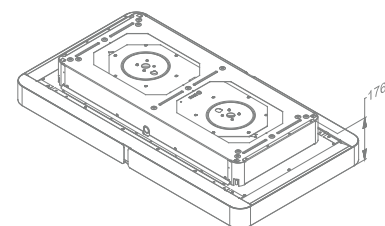
Ceiling unit motor not included

Models without a motor are combined with an interior motor, wall-mounted motor or flat roof motor.



Cloud ceiling unit recirculation as standard

This ceiling unit is equipped with recirculation as standard and needs only to be screwed to the ceiling. It is not necessary create an opening in the ceiling.





Overview of ceiling units

Step 2

Step 1

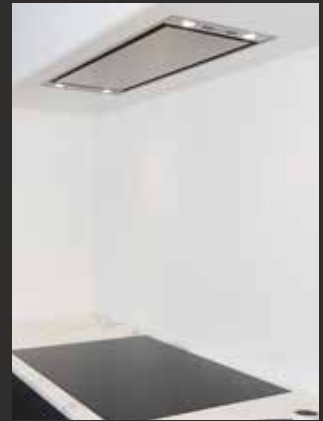
		With LED lights		Without LED lights	
Pure'line 90 cm	Stainless steel	Compact motor	6810		
	Stainless steel	Cubic motor	6830	Cubic motor	6833
	Stainless steel	Not included	6835	Not included	6838
	White	Compact motor	6811		
	White	Cubic motor	6831	Cubic motor	6834
	White	Not included	6836	Not included	6839
	Black	Compact motor	6812		
Pure'line 120 cm	Stainless steel	Compact motor	6820		
	Stainless steel	Cubic motor	6840	Cubic motor	6843
	Stainless steel	Not included	6845	Not included	6848
	White	Compact motor	6821		
	White	Cubic motor	6841	Cubic motor	6844
	White	Not included	6846	Not included	6849
	Black	Compact motor	6822		
Maxi Pure'line 150 cm	Stainless steel			Not included	855
	White			Not included	856
Cloud 110 cm	White	Motor, recirculation	230		
	Black	Motor, recirculation	232		



Built-in cooker hoods

for deep cabinets

Mini Pure'line



Width of cabinet or canopy

60 cm

■

90 cm

■

Colour

White

■

Stainless steel

■

Black

■

Motor

Integrated

■

At a distance (inside)

Optional

Exhaust

To the outside

■

Recirculation

Optional

Touch

**Glas
built-in unit**

**Stainless steel
Essence**



	▪	▪	▪
	▪	▪	▪
	▪	▪	
			▪
	▪	▪	▪
	Optional		
	▪	▪	▪
	Optional	Optional	Optional
	p. 100	p. 106	p. 112



BUILT-IN
COOKER
HOODS



BUILT-
UNDER
COOKER
HOODS



WALL-
MOUNTED
COOKER
HOODS



ISLAND
COOKER
HOODS



COOKER
HOOD
ACCESSORIES



HOBS



INFO





Mini Pure'line

- Integrated in a decorative chimney or alcove
- Flexible installation of the Cubic motor for more placement options
- Integrated dimmable LED lighting
- LED lighting warm white (2,700 K) adjustable to neutral white (4,000 K)

**InTouch**

Function for controlling the cooker hood from the hob.

**Remote control**

Supplied as standard with Remote control.

**Motor housing**

Rotating motor housing that can be installed remotely.

**Recirculation**

Recirculation is optional.



810
811
816



820
821
826



BUILT-IN
COOKER
HOODS

Width (cm)	Motor	Colour	EEL	Flow power function (m ³ /h)	Sound level during normal use in dB(A) (re 1 pW)		Ref.
					Minimum	Maximum	
60	Integrated Cubic motor / remote inside ⁽²⁾	Stainless steel	A	538	37	54	810
	Integrated Cubic motor / remote inside ⁽²⁾	White	A	538	37	54	811
	Integrated Cubic motor / remote inside ⁽²⁾	Black	A	538	37	54	816
90	Integrated Cubic motor / remote inside ⁽²⁾	Stainless steel	A+	623	37	52	820
	Integrated Cubic motor / remote inside ⁽²⁾	White	A+	623	37	52	821
	Integrated Cubic motor / remote inside ⁽²⁾	Black	A+	623	37	52	826

Noise levels measured in accordance with IEC 60704-2-13 standards, flow rates according to IEC 61591.

(2) To install the motor remotely, you should order an additional accessory (see accessories).



Technical specifications



Mini Pure'line
810 stainless steel / 811 white /
816 black



Mini Pure'line
820 stainless steel / 821 white /
826 black

Functions

Controls	Buttons + remote control	Buttons + remote control
Number of speed settings	3 + power function	3 + power function
Power setting with automatic downshift (min.)	6	6
With noise reduction	▪	▪
Recirculation	Optional (monoblock)	Optional (monoblock)
InTouch function for hobs	▪	▪
Auto-Stop, automatic switch-off after 3 hours	▪	▪
Run-on timer (min.)	10	10
Cleaning indicator for grease filter	▪	▪
Cleaning indicator for recirculation filter	▪	▪

Lighting

Type of lighting (number/W)	LED (4×2) / dimmable	LED (4×2) / dimmable
Lighting colour (K)	2,700 or 4,000	2,700 or 4,000
External lighting to connect and operate with remote control	Optional (kit 990.030)	Optional (kit 990.030)

Technical characteristics

Colour	810 stainless steel 811 white (≈RAL 9003) 816 black (≈RAL 9005)	820 stainless steel 821 white (≈RAL 9003) 826 black (≈RAL 9005)
Integrated motor	▪	▪
Option to install the remote motor inside	Optional	Optional
Weight cooker hood / motor casing (kg)	10 / 5	12 / 5
Mains voltage (V) / Electrical connection value (W)	230 / 119	230 / 115

Dimensions

Dimensions (W×D×H) (mm)	560×301×330	860×301×330
Opening (L×W) (mm)	545×286	845×286
Exhaust opening diameter (mm)	150	150
Exhaust position	Top / front / left / right / rear	Top / front / left / right / rear
Recommended installation height with an induction cooker (Hmin–Hmax) (mm)	650–750	650–850
Recommended installation height with an electric or ceramic cooker (Hmin–Hmax) (mm)	600–750	600–850
Recommended installation height with a gas cooker (Hmin–Hmax) (mm)	650–750	650–850



Air quantity and sound level

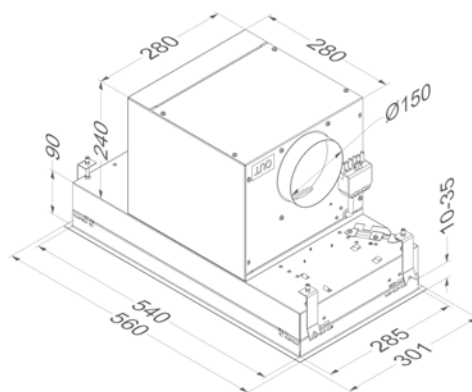
Type	Maximum free flow rate (m ³ /h)	Air quantity (m ³ /h) / pressure (Pa)				Noise level dB(A) sound pressure (re20μPa) / sound power (re 1pW)				
		Setting I	Setting II	Setting III	Power setting	Setting I	Setting II	Setting III	Power setting	
810, 811, 816	Integrated motor	815	213 / 84	338 / 226	405 / 330	538 / 381	26 / 37	37 / 49	42 / 54	49 / 61
820, 821, 826	Integrated motor	815	255 / 82	398 / 223	471 / 327	623 / 376	26 / 37	36 / 48	40 / 52	47 / 59

Noise levels measured in accordance with IEC 60704-2-13 standards, flow rates according to IEC 61591.

Technical drawings

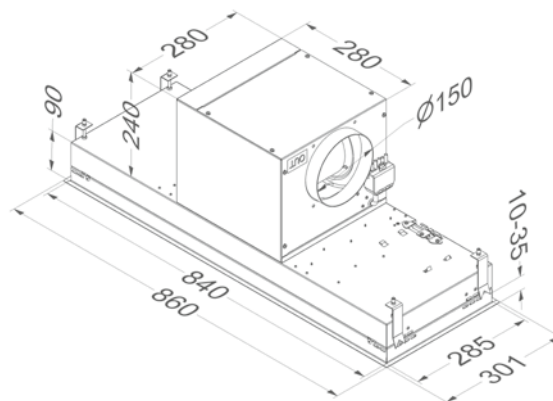
Mini Pure'line 60 cm

810 / 811 / 816



Mini Pure'line 90 cm

820 / 821 / 826

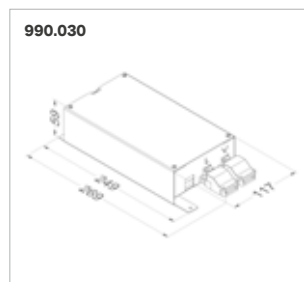


BUILT-IN
COOKER
HOODS



Accessories

	Reference	810	811	816	820	821	826
Miscellaneous							
Grease filter (replacement)	609.014	•	•	•			
Grease filter (replacement)	7400.020				•	•	•
Kit to install the remote motor	800.994	•	•	•			
Kit to install the remote motor	800.998				•	•	•
Adapter to connect a flat duct	830.052				•	•	•
Extension cable for remote motors (5 m)	7000.094	•	•	•	•	•	•
Kit connection with external cover and/or lighting	990.030	•	•	•	•	•	•





Accessories

	Reference	810	811	816	820	821	826
Recirculation							
Exhaust box with monoblock filter (270×500×295 mm)							
White (≈RAL 9003)	841.400	•	•	•	•	•	•
Black (≈RAL 9005)	842.400	•	•	•	•	•	•
Grey (≈RAL 7030)	843.400	•	•	•	•	•	•
Monoblock replacement filter for exhaust box 841.400, 842.400 and 843.400	830.055	•	•	•	•	•	•
Low built-in box (140 mm high) with monoblock filter (140×820×292 mm)							
White (≈RAL 9003)	7931.400	•	•	•	•	•	•
Black (≈RAL 9005)	7932.400	•	•	•	•	•	•
Grey (≈RAL 7030)	7933.400	•	•	•	•	•	•
Monoblock replacement filter for exhaust box 7931.400, 7932.400 and 7933.400	7900.055 (2×)	•	•	•	•	•	•
Kit with monoblock filters (without exhaust box) (also replacement)	811.400	•	•	•			
Kit with monoblock filters (without exhaust box)	820.400				•	•	•
Monoblock replacement filter for recirculation kit 820.400	7300.055				•	•	•



BUILT-IN
COOKER
HOODS







Touch

- Glass built-in units for a decorative chimney or canopy
- Flexible installation of the Cubic motor for more placement options
- Stylish design in white glass built-in
- Remote control as standard for the models 895, 897 and 899

**Distance**

Maximum distance between cooker hood and hob.

**Motor housing**

Rotating motor housing that can be installed remotely.

**Recirculation**

Recirculation is optional.



895
897
899



BUILT-IN
COOKER
HOODS

Width (cm)	Motor	Colour	EEI	Flow power function (m ³ /h)	Sound level during normal use in dB(A) (re 1 pW)		Ref.
					Minimum	Maximum	
60	Integrated Cubic motor / remote inside ⁽²⁾	White glass	C	418	38	51	894
	Integrated Cubic motor / remote inside ⁽²⁾	White glass	C	418	38	51	895
90	Integrated Cubic motor / remote inside ⁽²⁾	White glass	D	412	37	50	896 ⁽³⁾
	Integrated Cubic motor / remote inside ⁽²⁾	White glass	D	412	37	50	897 ⁽³⁾
	Integrated Cubic motor / remote inside ⁽²⁾	White glass	C	629	39	58	898
	Integrated Cubic motor / remote inside ⁽²⁾	White glass	C	629	39	58	899

Noise levels measured in accordance with IEC 60704-2-13 standards, flow rates according to IEC 61591.

⁽²⁾ To install the motor remotely, you should order an additional accessory (see accessories).

⁽³⁾ These models are only to be used above a hob with maximum 4 cooking zones.



Technical specifications



Touch 60 cm
894 white glass / 895 white glass



Touch 90 cm
896 white glass / 897 white glass



Touch 90 cm
898 white glass / 899 white glass

Functions

Controls	Touch control / touch control + remote control	Touch control / touch control + remote control	Touch control / touch control + remote control
Number of speed settings	3 + power function	3 + power function	3 + power function
Power setting with automatic downshift (min.)	6	6	6
With noise reduction	▪	▪	▪
Recirculation	Optional (monoblock)	Optional (monoblock)	Optional (monoblock)
InTouch function for hobs	Optional / ▪	Optional / ▪	Optional / ▪
Auto-Stop, automatic switch-off after 3 hours	▪	▪	▪
Run-on timer (min.)	10	10	10
Cleaning indicator for grease filter	▪	▪	▪
Cleaning indicator for recirculation filter	▪	▪	▪

Lighting

Type of lighting (number/W)	TL 5 (2x13)	TL 8 (2x25)	TL 8 (2x25)
-----------------------------	-------------	-------------	-------------

Technical characteristics

Colour	White	White	White
Integrated motor	▪	▪	▪
Option to install the remote motor inside	Optional	Optional	Optional
Weight cooker hood / motor casing (kg)	17 / 6	26 / 6	28 / 6
Mains voltage (V) / Electrical connection value (W)	230 / 146	230 / 167	230 / 269

Dimensions

Dimensions (W×D×H) (mm)	560×301×331	860×301×331	860×301×331
Opening (L×W) (mm)	545×286	845×286	845×286
Exhaust opening diameter (mm)	125	125	150
Exhaust position	Top / right / left / front / rear	Top / right / left / front / rear	Top / right / left / front / rear
Recommended installation height with an induction cooker (Hmin–Hmax) (mm)	650–750	650–750	650–750
Recommended installation height with an electric or ceramic cooker (Hmin–Hmax) (mm)	600–750	600–750	600–750
Recommended installation height with a gas cooker (Hmin–Hmax) (mm)	650–750	650–750	650–750



Air quantity and sound level

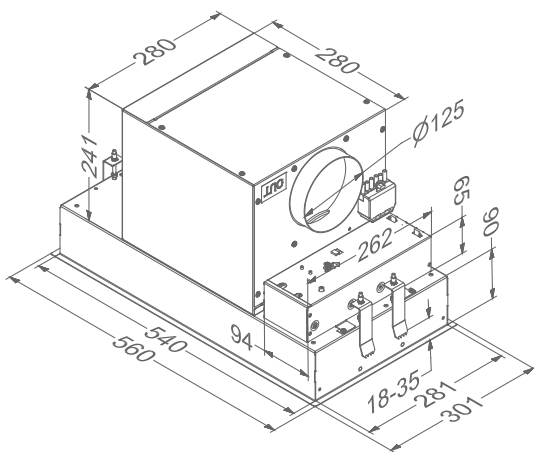
Type		Maximum free flow rate (m ³ /h)	Air quantity (m ³ /h) / pressure (Pa)				Noise level dB(A) sound pressure (re20μPa) / sound power (re 1pW)			
			Setting I	Setting II	Setting III	Power setting	Setting I	Setting II	Setting III	Power setting
894, 895	Integrated motor	475	172 / 135	261 / 265	356 / 346	418 / 381	23 / 38	31 / 45	37 / 51	41 / 55
896, 897	Integrated motor	475	166 / 133	253 / 265	346 / 353	412 / 389	23 / 37	30 / 44	36 / 50	40 / 54
898, 899	Integrated motor	800	191 / 315	281 / 478	456 / 530	629 / 555	29 / 39	37 / 47	48 / 58	52 / 63

Noise levels measured in accordance with IEC 60704-2-13 standards, flow rates according to IEC 61591.

Technical drawings

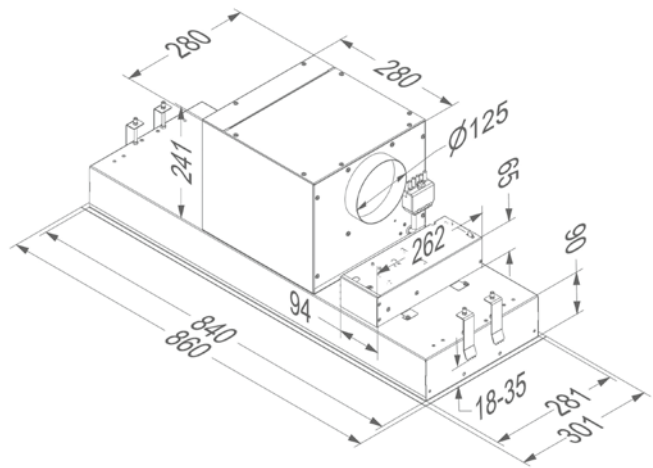
Touch 60 cm

894 / 895



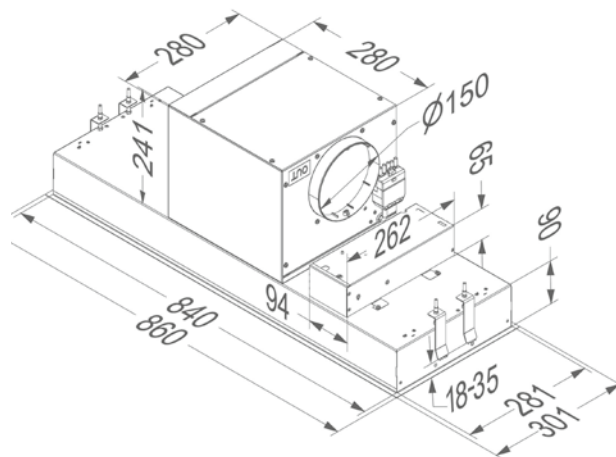
Touch 90 cm

896 / 897



Touch 90 cm

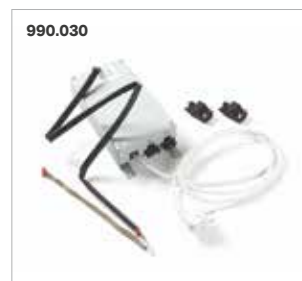
898 / 899



BUILT-IN
COOKER
HOODS

Accessories

	Reference	894	895	896	897	898	899
Miscellaneous							
Grease filter (replacement)	894.020	•	•	•	•	•	•
Kit to install the remote motor	800.995	•	•	•	•	•	•
Extension cable for remote motors (5 m)	7000.092	•	•	•	•	•	•
Kit for remote control (InTouch)	990.021	•	•	•	•	•	•
Kit connection with external cover and/or lighting	990.030	•	•	•	•	•	•

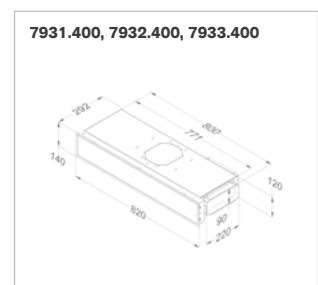
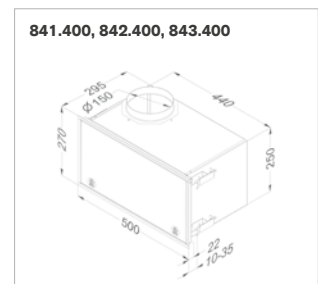




Accessories

	Reference	894	895	896	897	898	899
Recirculation							
Exhaust box with monoblock filter (270×500×295 mm)							
White (≈RAL 9003)	841.400	•	•	•	•	•	•
Black (≈RAL 9005)	842.400	•	•	•	•	•	•
Grey (≈RAL 7030)	843.400	•	•	•	•	•	•
Monoblock replacement filter for exhaust box 841.400, 842.400 and 843.400	830.055	•	•	•	•	•	•
Low built-in box (140 mm high) with monoblock filter (140×820×292 mm)							
White (≈RAL 9003)	7931.400	•	•	•	•	•	•
Black (≈RAL 9005)	7932.400	•	•	•	•	•	•
Grey (≈RAL 7030)	7933.400	•	•	•	•	•	•
Monoblock replacement filter for exhaust box 7931.400, 7932.400 and 7933.400	7900.055 (2×)	•	•	•	•	•	•
Kit with monoblock filters (without exhaust box) (also replacement)	894.400	•	•	•	•	•	•

BUILT-IN
COOKER
HOODS







Glass built-in unit

- Glass built-in units for a decorative chimney or canopy
- Convenience and easy control
- Stylish design in white glass

**Distance**

Maximum distance between cooker hood and hob.

**Recirculation**

Recirculation is optional.



BUILT-IN
COOKER
HOODS

Width (cm)	Motor	Colour	EEI	Debiet Setting 3 (m ³ /u)	Sound level during normal use in dB(A) (re 1 pW)		Ref.
					Minimum	Maximum	
53,8	Integrated	White glass	C	327	46	59	874
70,0	Integrated	White glass	C	486	47	59	877
83,8	Integrated	White glass	D	337	45	58	876 ⁽³⁾
83,8	Integrated	White glass	D	628	47	60	878

Noise levels measured in accordance with IEC 60704-2-13 standards, flow rates according to IEC 61591.

(3) This model is only to be used above a hob with maximum 4 cooking zones.



Technical specifications



Glass built-in unit 60 cm
874 white glass



Glass built-in unit 70 cm
877 white glass



Glass built-in unit 90 cm
876 white glass



Glass built-in unit 90 cm
878 white glass

Functions

Controls	Knob	Knob	Knob	Knob
Number of speed settings	3	3	3	3
With noise reduction	▪	▪	▪	▪
Recirculation	Optional (monoblock)	Optional (monoblock)	Optional (monoblock)	Optional (monoblock)

Lighting

Type of lighting (number/W)	CFL (2×11)	TL8 (2×15)	TL8 (2×15)	TL8 (2×15)
-----------------------------	------------	------------	------------	------------

Technical characteristics

Colour	White	White	White	White
Integrated motor	▪	▪	▪	▪
Weight cooker hood / motor casing (kg)	12.5	20	17	20
Mains voltage (V) / Electrical connection value (W)	230 / 125	230 / 183	230 / 139	230 / 232

Dimensions

Dimensions (W×D×H) (mm)	538×301×371	700×301×340	838×301×371	838×301×382
Opening (L×W) (mm)	510×290	672×290	810×290	810×290
Exhaust opening diameter (mm)	125	150	125	150
Exhaust position	Top	Top	Top	Top
Recommended installation height with an induction cooker (Hmin–Hmax) (mm)	650–750	650–750	650–750	650–750
Recommended installation height with an electric or ceramic cooker (Hmin–Hmax) (mm)	600–750	600–750	600–750	600–750
Recommended installation height with a gas cooker (Hmin–Hmax) (mm)	650–750	650–750	650–750	650–750



Air quantity and sound level

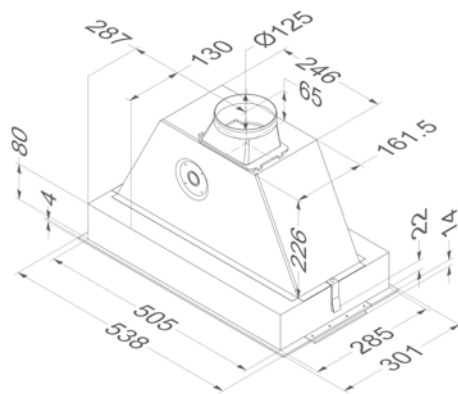
Type	Maximum free flow rate (m ³ /h)	Air quantity (m ³ /h) / pressure (Pa)			Noise level dB(A) sound pressure (re 20μPa) / sound power (re 1pW)			
		Setting I	Setting II	Setting III	Setting I	Setting II	Setting III	
874	Integrated motor	470	172 / 251	227 / 326	327 / 360	32 / 46	38 / 51	45 / 59
877	Integrated motor	700	263 / 323	356 / 334	486 / 366	33 / 47	38 / 52	45 / 59
876	Integrated motor	470	179 / 229	237 / 334	337 / 390	31 / 45	37 / 51	44 / 58
878	Integrated motor	940	327 / 231	437 / 301	628 / 346	33 / 47	40 / 53	47 / 60

Noise levels measured in accordance with IEC 60704-2-13 standards, flow rates according to IEC 61591.

Technical drawings

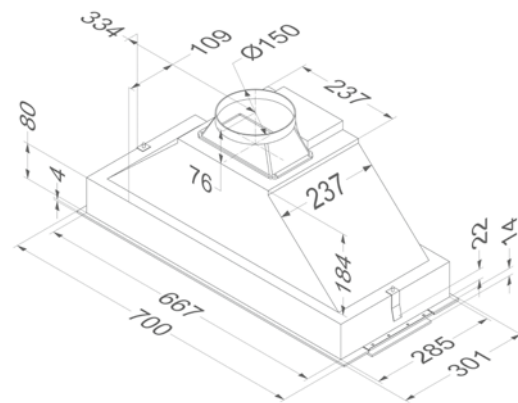
Glass built-in unit 60 cm

874



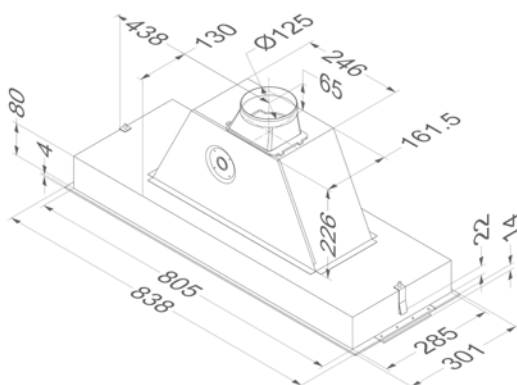
Glass built-in unit 70 cm

877



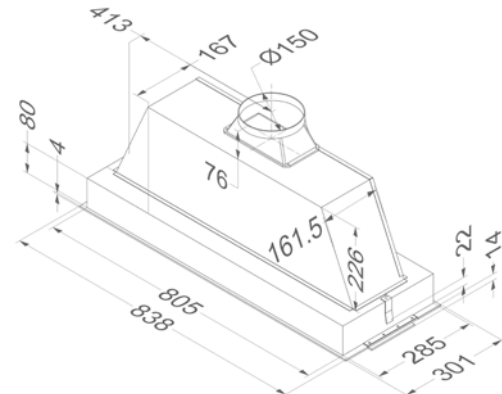
Glass built-in unit 90 cm

876



Glass built-in unit 90 cm

878



BUILT-IN
COOKER
HOODS



Built-in / Glass

Accessories

	Reference	874	876	877	878
Miscellaneous					
Grease filter (replacement)	609.014	•	•		
Grease filter (replacement)	609.014 (2×)				•
Grease filter (replacement)	605.014			•	

609.014



605.014





Accessories

	Reference	874	876	877	878
Recirculation					
Exhaust box with monoblock filter (270×500×295 mm)					
White (≈RAL 9003)	841.400	▪	▪	▪	▪
Black (≈RAL 9005)	842.400	▪	▪	▪	▪
Grey (≈RAL 7030)	843.400	▪	▪	▪	▪
Monoblock replacement filter for exhaust box 841.400, 842.400 and 843.400	830.055	▪	▪	▪	▪
Low built-in box (140 mm high) with monoblock filter (140×820×292 mm)					
White (≈RAL 9003)	7931.400	▪	▪	▪	▪
Black (≈RAL 9005)	7932.400	▪	▪	▪	▪
Grey (≈RAL 7030)	7933.400	▪	▪	▪	▪
Monoblock replacement filter for exhaust box 7931.400, 7932.400 and 7933.400	7900.055 (2×)	▪	▪	▪	▪



BUILT-IN
COOKER
HOODS







Stainless steel Essence

- Built-in units in stainless steel for a decorative chimney or canopy
- Convenience and easy control
- Sleek design filter for the optimum extraction of cooking vapours



Distance
Maximum distance
between cooker hood
and hob.



Recirculation
Recirculation is optional.



BUILT-IN
COOKER
HOODS

Width (cm)	Motor	Colour	EEL	Flow setting 4 (m ³ /h)	Sound level during normal use in dB(A) (re 1 pW)		Ref.
					Minimum	Maximum	
60	Integrated	Stainless steel	C	521	37	58	828
90	Integrated	Stainless steel	C	510	34	58	829 ⁽³⁾

Noise levels measured in accordance with IEC 60704-2-13 standards, flow rates according to IEC 61591.

(3) This model is only to be used above a hob with maximum 4 cooking zones.



Technical specifications

**Stainless steel Essence 60 cm
828****Stainless steel Essence 90 cm
829**

Functions

Controls	Buttons	Buttons
Number of speed settings	4	4
Recirculation	Optional (carbon filter cartridge)	Optional (carbon filter cartridge)
Cleaning indicator for grease filter	▪	▪
Replacement indicator for recirculation filter	▪	▪

Lighting

Type of lighting (number/W)	Halogen (2×20)	Halogen (2×20)
-----------------------------	----------------	----------------

Technical characteristics

Colour	Stainless steel	Stainless steel
Integrated motor	▪	▪
Weight cooker hood / motor casing (kg)	10	11,5
Mains voltage (V) / Electrical connection value (W)	230 / 194	230 / 194

Dimensions

Dimensions (W×D×H) (mm)	546×296×279	846×296×279
Opening (LxW) (mm)	525×275	825×275
Exhaust opening diameter (mm)	150	150
Exhaust position	Top	Top
Recommended installation height with an induction cooker (Hmin–Hmax) (mm)	650–750	650–750
Recommended installation height with an electric or ceramic cooker (Hmin–Hmax) (mm)	600–750	600–750
Recommended installation height with a gas cooker (Hmin–Hmax) (mm)	650–750	650–750

Air quantity and sound level

Type	Maximum free flow rate (m ³ /h)	Air quantity (m ³ /h) / pressure (Pa)				Noise level dB(A) sound pressure (re20μPa) / sound power (re 1pW)			
		Setting I	Setting II	Setting III	Setting IV	Setting I	Setting II	Setting III	Setting IV
828 Integrated motor	581	200 / 243	296 / 365	398 / 422	521 / 481	26 / 37	33 / 44	42 / 53	47 / 58
829 Integrated motor	581	196 / 227	293 / 366	390 / 435	510 / 478	23 / 34	28 / 39	40 / 51	47 / 58

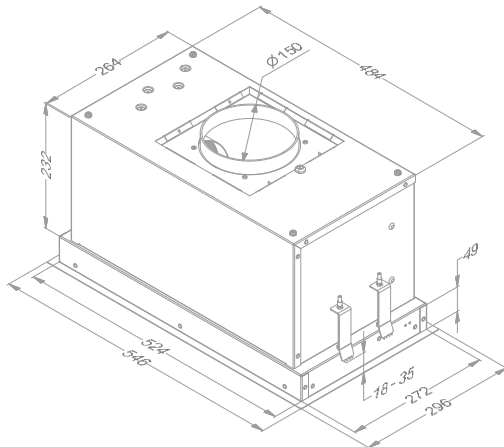
Noise levels measured in accordance with IEC 60704-2-13 standards, flow rates according to IEC 61591.



Technical drawings

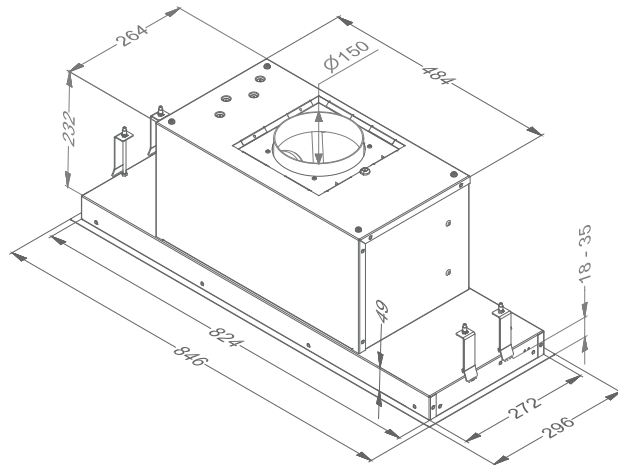
Stainless steel Essence 60 cm

828



Stainless steel Essence 90 cm

829



BUILT-IN
COOKER
HOODS

Accessories

	Reference	828	829
Miscellaneous			
Grease filter (replacement)	828.020	•	
Grease filter (replacement)	829.020 (2x)		•
Carbon cartridge (also replacement)	6200.055	•	•





Built-under cooker hoods

for shallow cabinets

Fusion Pro

Fusion



Width of cabinet or canopy

60 cm	▪	▪
90 cm	▪	▪
100 cm		
120 cm	▪	

Colour

White		▪
Stainless steel		
Anthracite	▪	

Motor

Integrated	▪	▪
------------	---	---

Exhaust

To the outside	▪	▪
Recirculation	Optional	Optional



Telescopic

Telescopic Essence



	▪	▪
	▪	▪
	▪	▪
	▪	▪
	▪	▪
	Optional	Optional

p. 128

p. 134



BUILT-UNDER COOKER HOODS



WALL-MOUNTED COOKER HOODS



ISLAND COOKER HOODS



COOKER HOOD ACCESSORIES



HOB



INFO



Seamless integration into shallow wall cabinet

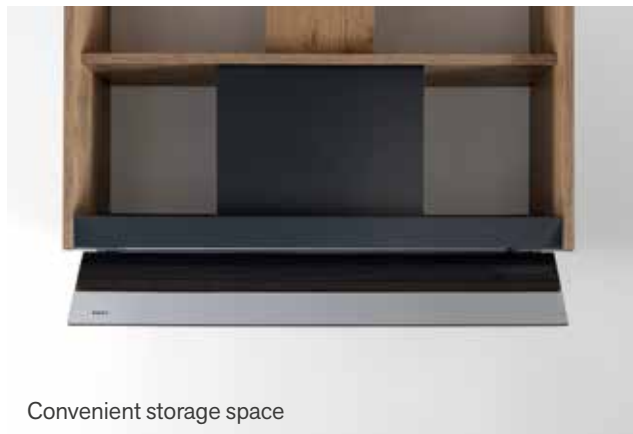




Fusion Pro meets the demand for designer cooker hoods in shallow wall cabinets. With this highly developed concept, Fusion Pro, like Fusion, is concealed and integrated into a shallow wall cabinet. Discover all the advantages.



Transparent tilting panel to catch cooking fumes



Convenient storage space



Seamless finishing to protect the wall cabinet



Angled front cover for handleless kitchens



Fusion Pro

- Can be invisibly integrated into a wall cabinet with minimum and maximum depth of between 310-351 mm
- Tilting cover in transparent glass for optimum capture of cooking vapours
- Sufficient space for storage
- LED strip (4,000 K), dimmable



Premium
Product distributed through a selection of partners.



Distance
Maximum distance between cooker hood and hob.



InTouch
Function for controlling the cooker hood from the hob.



Recirculation
Recirculation is optional.



Width (cm)	Motor	Colour	EEL	Flow power function (m ³ /h)	Sound level during normal use in dB(A) (re 1 pW)		Ref.
					Minimum	Maximum	
60	Integrated	Anthracite / Anthracite glass	A+	682	48	59	8710
90	Integrated	Anthracite / Anthracite glass	A	674	48	59	8740
120	Integrated	Anthracite / Anthracite glass	A	701	48	59	8770

Noise levels measured in accordance with IEC 60704-2-13 standards, flow rates according to IEC 61591.



Technical specifications

**Fusion Pro 60 cm**
8710 anthracite glass**Fusion Pro 90 cm**
8740 anthracite glass**Fusion Pro 120 cm**
8770 anthracite glass

Functions

Controls	Touch control	Touch control	Touch control
Number of speed settings	3 + power function	3 + power function	3 + power function
Power setting with automatic downshift (min.)	6	6	6
With noise reduction	•	•	•
Recirculation	Optional (monoblock)	Optional (monoblock)	Optional (monoblock)
InTouch function for hobs	•	•	•
Auto-Stop, automatic switch-off after 3 hours	•	•	•
Run-on timer (min.)	10	10	10
Cleaning indicator for grease filter	•	•	•
Cleaning indicator for recirculation filter	•	•	•

Lighting

Type of lighting (number/W)	LED strip (14), dimmable	LED strip (23), dimmable	LED strip (23), dimmable
Lighting colour (K)	4,000	4,000	4,000

Technical characteristics

Colour	Anthracite (≈RAL 7016)	Anthracite (≈RAL 7016)	Anthracite (≈RAL 7016)
Oblique front cover for handleless kitchens	•	•	•
Integrated motor	•	•	•
Weight cooker hood / motor casing (kg)	11	14	17
Mains voltage (V) / Electrical connection value (W)	230 / 116	230 / 124	230 / 124

Dimensions

Dimensions (W×D×H) (mm)	600×310/351×340	900×310/351×340	1200×310/351×340
Width cabinet (mm)	600	900	1200
Minimal/maximal depth cabinet (mm)	310–351	310–351	310–351
Thickness side panel cabinet (mm)	16–19	16–19	16–19
Exhaust opening diameter (mm)	150	150	150
Exhaust position	Top	Top	Top
Recommended installation height with an induction cooker (Hmin–Hmax) (mm)	500–750	500–750	500–750
Recommended installation height with an electric or ceramic cooker (Hmin–Hmax) (mm)	500–750	500–750	500–750
Recommended installation height with a gas cooker (Hmin–Hmax) (mm)	650–750	650–750	650–750

Air quantity and sound level

Type	Maximum free flow rate (m ³ /h)	Air quantity (m ³ /h) / pressure (Pa)				Noise level dB(A) sound pressure (re20μPa) / sound power (re 1pW)			
		Setting I	Setting II	Setting III	Power setting	Setting I	Setting II	Setting III	Power setting
8710 Integrated motor	815	395 / 174	535 / 353	608 / 389	682 / 390	36 / 48	44 / 56	47 / 59	50 / 62
8740 Integrated motor	815	391 / 178	535 / 356	606 / 383	674 / 383	36 / 48	44 / 56	47 / 59	50 / 62
8770 Integrated motor	815	405 / 173	553 / 351	626 / 386	701 / 381	36 / 48	44 / 56	47 / 59	50 / 62

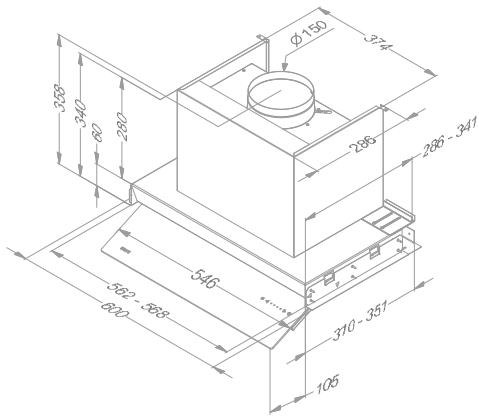
Noise levels measured in accordance with IEC 60704-2-13 standards, flow rates according to IEC 61591.



Technical drawings

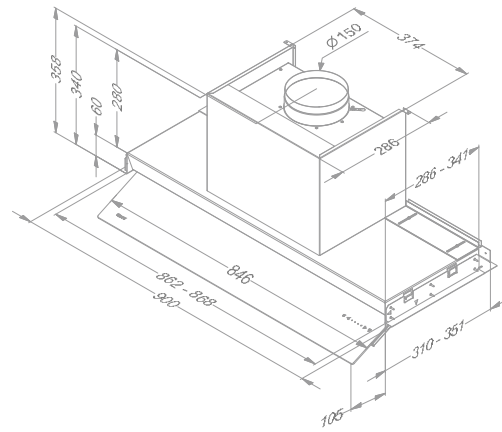
Fusion Pro 60 cm

8710



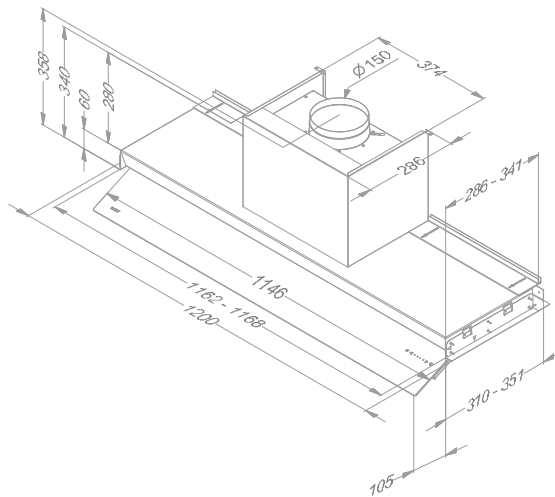
Fusion Pro 90 cm

8740



Fusion Pro 120 cm

8770



BUILT UNDER COOKER HOODS

Accessories

	Reference	8710	8740	8770
Miscellaneous				
Grease filter (replacement)	8740.050 (2×)	•		
Grease filter (replacement)	8740.050 (3×)		•	
Grease filter (replacement)	8740.050 (4×)			•
Kit for remote control	840.029	•	•	•
Recirculation				
Kit with monoblock filters (without exhaust box) (also replacement)	8740.400	•	•	•







Fusion

- Can be invisibly integrated into a shallow wall cabinet with a built-in depth of only 32 cm
- Tilting cover in white glass for optimum capture of cooking vapours
- Subtle touch control
- LED strip (4,000 K), dimmable

**Distance**

Maximum distance between cooker hood and hob.

**InTouch**

Function for controlling the cooker hood from the hob. In option

**Recirculation**

Recirculation is optional.



BUILT
UNDER
COOKER
HOODS

Width (cm)	Motor	Colour	EEI	Flow power function (m ³ /h)	Sound level during normal use in dB(A) (re 1 pW)		Ref.
					Minimum	Maximum	
60	Integrated	White / White glass	A	608	39	58	680
90	Integrated	White / White glass	A	629	37	59	686

Noise levels measured in accordance with IEC 60704-2-13 standards, flow rates according to IEC 61591.



Technical specifications



**Fusion 60 cm
680 white glass**

**Fusion 90 cm
686 white glass**

Functions

Controls	Touch control	Touch control
Number of speed settings	3 + power function	3 + power function
Power setting with automatic downshift (min.)	6	6
With noise reduction	▪	▪
Recirculation	Optional (monoblock)	Optional (monoblock)
InTouch function for hobs	▪	▪
Auto-Stop, automatic switch-off after 3 hours	▪	▪
Run-on timer (min.)	10	10
Cleaning indicator for grease filter	▪	▪
Cleaning indicator for recirculation filter	▪	▪

Lighting

Type of lighting (number/W)	LED strip (10), dimmable	LED strip (16), dimmable
Lighting colour (K)	4,000	4,000

Technical characteristics

Colour	White	White
Integrated motor	▪	▪
Weight cooker hood / motor casing (kg)	12.5	15.2
Mains voltage (V) / Electrical connection value (W)	230 / 121	230 / 129

Dimensions (mm)

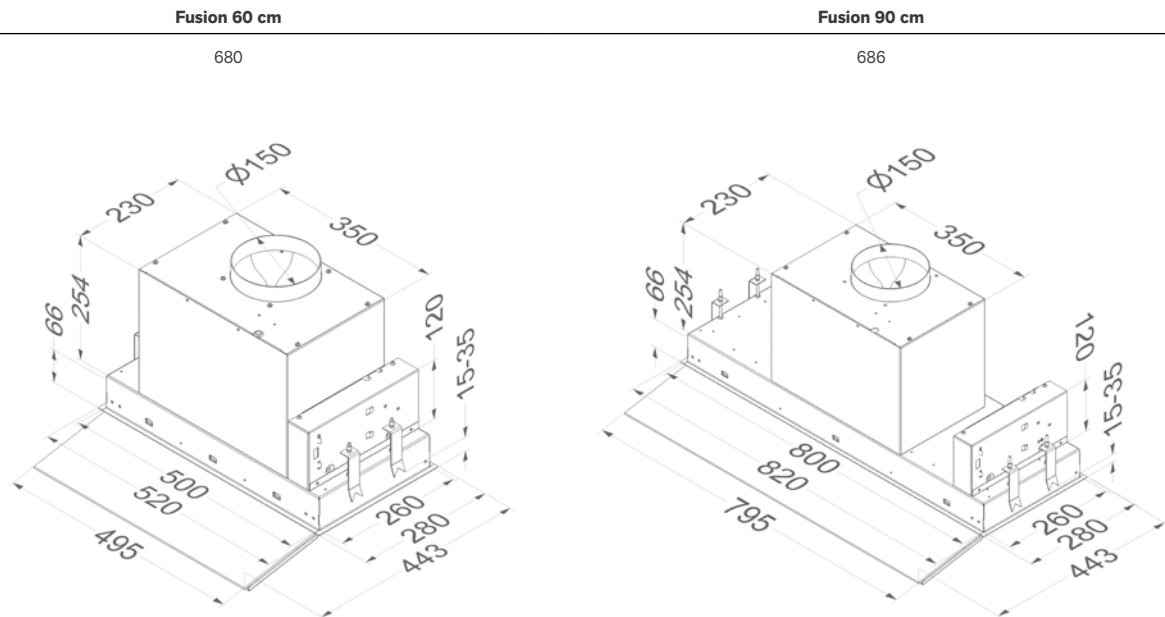
Dimensions (W×D×H) (mm)	520×280×320	820×280×320
Minimum dimensions of cabinet (W×D×H) (mm)	505×265	805×265
Exhaust opening diameter (mm)	150	150
Exhaust position	Top / rear	Top / rear
Recommended installation height with an induction cooker (Hmin–Hmax) (mm)	500–750	500–750
Recommended installation height with an electric or ceramic cooker (Hmin–Hmax) (mm)	500–750	500–750
Recommended installation height with a gas cooker (Hmin–Hmax) (mm)	650–750	650–750

Air quantity and sound level

Type	Maximum free flow rate (m ³ /h)	Air quantity (m ³ /h) / pressure (Pa)				Noise level dB(A) sound pressure (re20μPa) / sound power (re 1pW)			
		Setting I	Setting II	Setting III	Power setting	Setting I	Setting II	Setting III	Power setting
680 Integrated motor	815	230 / 68	397 / 238	527 / 367	608 / 367	29 / 39	40 / 51	48 / 58	51 / 61
686 Integrated motor	815	237 / 70	415 / 242	547 / 381	629 / 382	28 / 37	40 / 51	48 / 59	50 / 61



Technical drawings



Accessories



BUILT
UNDER
COOKER
HOODS

	Reference	680	686
Miscellaneous			
Grease filter (replacement)	680.020	•	
Grease filter (replacement)	680.020 (2×)		•
Kit for remote control (InTouch)	840.029	•	•
Recirculation			
Kit with monoblock filters (without exhaust box) (also replacement)	680.400	•	•







Telescopic

- Can be integrated flush with the wall cabinet
- Telescopic slide for optimum capture of cooking vapours
- Sufficient space for a herb rack
- Glass visor for a transparent look
- LED lighting (2,700 K)
- Electronic control (663, 693) with extra functions

**Distance**

Maximum distance between cooker hood and hob.

**Recirculation**

Recirculation is optional.



In optie
663
693



BUILT
UNDER
COOKER
HOODS

Width (cm)	Motor	Colour	Controls	EEI	Maximum Flow Rate (m ³ /h)	Sound level during normal use in dB(A) (re 1 pW)		Ref.
						Minimum	Maximum	
60	Integrated	Stainless steel	Knob	C	346	49	60	661
	Integrated	Stainless steel	Knob	D	594	55	63	662
	Integrated	Stainless steel	Buttons	C	614	47	58	663
90	Integrated	Stainless steel	Knob	C	348	48	60	691 ⁽³⁾
	Integrated	Stainless steel	Knob	C	587	50	61	692
	Integrated	Stainless steel	Buttons	C	605	43	55	693

Noise levels measured in accordance with IEC 60704-2-13 standards, flow rates according to IEC 61591.

(3) This model is only to be used above a hob with maximum 4 cooking zones.

**Technical specifications**

	Telescopic 60 cm 661 stainless steel	Telescopic 60 cm 662 stainless steel	Telescopic 60 cm 663 stainless steel
Functions			
Controls	Knob	Knob	Buttons
Number of speed settings	3	3	3 + power function
Power setting with automatic downshift (min.)			6
With noise reduction	•	•	•
Recirculation	Optional (monoblock)	Optional (monoblock)	Optional (monoblock)
InTouch function for hobs			Optional
Auto-Stop, automatic switch-off after 3 hours			•
Run-on timer (min.)			10
Cleaning indicator for grease filter			•
Cleaning indicator for recirculation filter			•
Lighting			
Type of lighting (number/W)	LED (2×2)	LED (2×2)	LED (2×2)
Lighting colour (K)	2,700	2,700	2,700
Technical characteristics			
Colour side profile	Stainless steel (replaceable)	Stainless steel (replaceable)	Stainless steel (replaceable)
Integrated motor	•	•	•
Weight cooker hood / motor casing (kg)	12	13	13
Mains voltage (V) / Electrical connection value (W)	230 / 103	230 / 182	230 / 181
Dimensions			
Dimensions (W×D×H) (mm)	598×290×348	598×290×405	598×290×405
Minimum dimensions of cabinet (W×D×H) (mm)	600×280×450	600×280×450	600×280×450
Exhaust opening diameter (mm)	125	150	150
Exhaust position	Top	Top	Top
Recommended installation height with an induction cooker (Hmin–Hmax) (mm)	650–750	650–750	650–750
Recommended installation height with an electric or ceramic cooker (Hmin–Hmax) (mm)	600–750	600–750	600–750
Recommended installation height with a gas cooker (Hmin–Hmax) (mm)	650–750	650–750	650–750


**Telescopic 90 cm
691 stainless steel**
**Telescopic 90 cm
692 stainless steel**
**Telescopic 90 cm
693 stainless steel**

Knob	Knob	Buttons
3	3	3 + power function
.	.	6
Optional (monoblock)	Optional (monoblock)	Optional (monoblock)
		Optional
		.
		10
		.
		.
LED (2×2)	LED (2×2)	LED (2×2)
2,700	2,700	2,700
Stainless steel (replaceable)	Stainless steel (replaceable)	Stainless steel (replaceable)
.	.	.
16	18	18
230 / 101	230 / 194	230 / 200
898×290×348	898×290×348	898×290×348
900×280×450	900×280×450	900×280×450
125	150	150
Top	Top	Top
650–750	650–750	650–750
600–750	600–750	600–750
650–750	650–750	650–750



Air quantity and sound level

Type	Maximum free flow rate (m ³ /h)	Air quantity (m ³ /h) / pressure (Pa)				Noise level dB(A) sound pressure (re20μPa) / sound power (re 1pW)			
		Setting I	Setting II	Setting III	Setting IV / Power setting	Setting I	Setting II	Setting III	Setting IV / Power setting
661 Integrated motor	470	212 / 252	255 / 290	346 / 344		38 / 49	43 / 54	48 / 60	
662 Integrated motor	940	387 / 267	464 / 326	594 / 408		43 / 55	47 / 58	51 / 63	
663 Integrated motor	940	285 / 187	397 / 287	473 / 336	614 / 411	36 / 47	43 / 55	47 / 58	51 / 63
691 Integrated motor	470	215 / 273	257 / 318	348 / 379		36 / 48	41 / 52	48 / 60	
692 Integrated motor	940	353 / 313	423 / 347	587 / 397		39 / 50	43 / 55	50 / 61	
693 Integrated motor	940	259 / 153	356 / 225	436 / 262	605 / 318	32 / 43	39 / 50	43 / 55	50 / 61

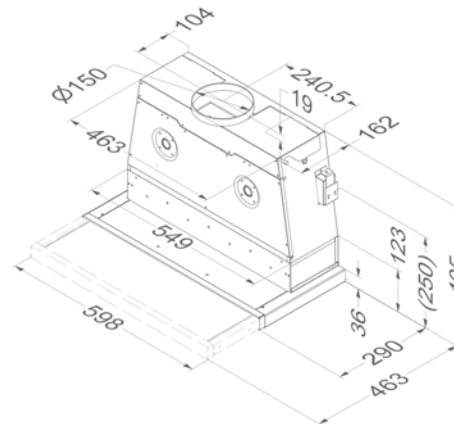
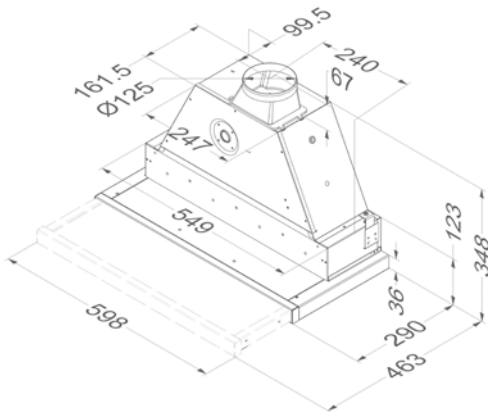
Noise levels measured in accordance with IEC 60704-2-13 standards, flow rates according to IEC 61591.

Technical drawings

Telescopic 60 cm

661

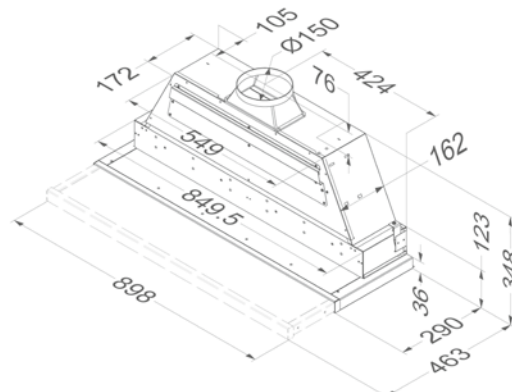
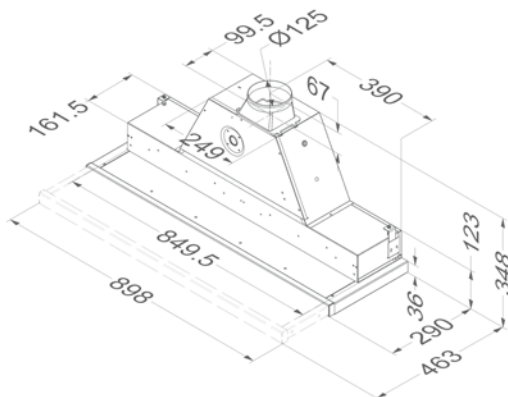
662 / 663



Telescopic 90 cm

691

692 / 693





Accessories

	Reference	661	662	663	691	692	693
Miscellaneous							
Kit with LED lighting (4,000 K)	906.303	•	•	•	•	•	•
Grease filter (replacement)	605.014	•	•	•			
Grease filter (replacement)	609.014 (2x)				•	•	•
Kit for remote control (InTouch)	990.021			•			•
Kit connection with external cover and/or lighting	990.030			•			•
Recirculation							
Kit with monoblock filters (without exhaust box) (also replacement)	662.400	•	•	•			
Monoblock replacement filter for kit 662.400	662.060	•	•	•			
Kit with monoblock filters (without exhaust box) (also replacement)	692.400				•	•	•
Monoblock replacement filter for kit 692.400	692.060				•	•	•







Telescopic Essence

- Can be integrated flush with the wall cabinet
- Telescopic slide for optimum capture of cooking vapours
- Sleek design filter for the optimum extraction of cooking vapours

**Distance**

Maximum distance between cooker hood and hob.

**Recirculation**

Recirculation is optional.



BUILT UNDER COOKER HOODS

Width (cm)	Motor	Colour	EEI	Flow setting 4 (m ³ /h)	Sound level during normal use in dB(A) (re 1 pW)		Ref.
					Minimum	Maximum	
60	Integrated	Stainless steel	C	556	33	56	650
90	Integrated	Stainless steel	C	559	34	58	655 ⁽³⁾

Noise levels measured in accordance with IEC 60704-2-13 standards, flow rates according to IEC 61591.

(3) This model is only to be used above a hob with maximum 4 cooking zones.



Technical specifications

**Telescopic Essence 60 cm**
650 stainless steel**Telescopic Essence 90 cm**
655 stainless steel

Functions

Controls	Buttons	Buttons
Number of speed settings	4	4
Recirculation	Optional (carbon filter cartridge)	Optional (carbon filter cartridge)
Cleaning indicator for grease filter	▪	▪
Replacement indicator for recirculation filter	▪	▪

Lighting

Type of lighting (number/W)	Halogen (2×20)	Halogen (2×20)
-----------------------------	----------------	----------------

Technical characteristics

Colour side profile	Stainless steel (not replaceable)	Stainless steel (not replaceable)
Integrated motor	▪	▪
Weight cooker hood / motor casing (kg)	10	12
Mains voltage (V) / Electrical connection value (W)	230 / 189	230 / 190

Dimensions

Dimensions (W×D×H) (mm)	598×290×316	898×290×316
Minimum dimensions of cabinet (W×D×H) (mm)	600×280×300	900×280×300
Exhaust opening diameter (mm)	150	150
Exhaust position	Top	Top
Recommended installation height with an induction cooker (Hmin–Hmax) (mm)	650–750	650–750
Recommended installation height with an electric or ceramic cooker (Hmin–Hmax) (mm)	600–750	600–750
Recommended installation height with a gas cooker (Hmin–Hmax) (mm)	650–750	650–750

Air quantity and sound level

Type	Maximum free flow rate (m ³ /h)	Air quantity (m ³ /h) / pressure (Pa)				Noise level dB(A) sound pressure (re20μPa) / sound power (re 1pW)			
		Setting I	Setting II	Setting III	Setting IV	Setting I	Setting II	Setting III	Setting IV
650 Integrated motor	581	210 / 243	322 / 353	429 / 424	556 / 469	21 / 33	28 / 39	38 / 49	45 / 56
655 Integrated motor	581	217 / 243	322 / 353	430 / 424	559 / 469	23 / 34	31 / 42	42 / 53	46 / 58

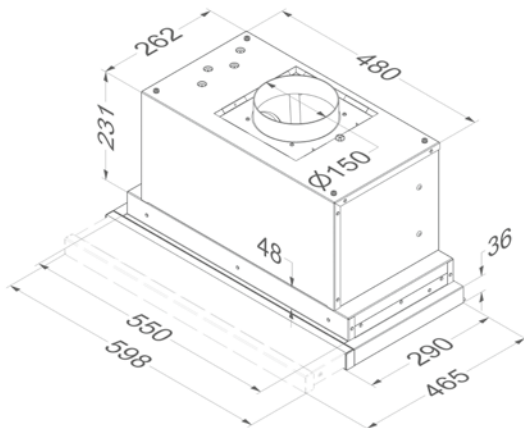
Noise levels measured in accordance with IEC 60704-2-13 standards, flow rates according to IEC 61591.



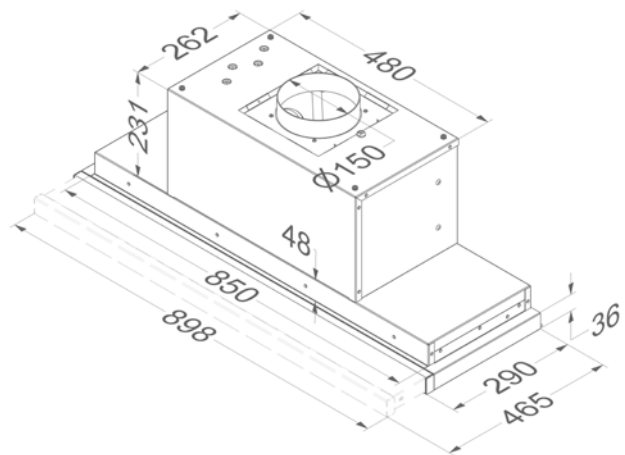
Technical drawings

Telescopic Essence 60 cm

650

**Telescopic Essence 90 cm**

655



Accessories

BUILT
UNDER
COOKER
HOODS

	Reference	650	655
Miscellaneous			
Grease filter (replacement)	650.020	•	
Grease filter (replacement)	655.020 (2×)		•
Carbon cartridge (also replacement)	6200.055	•	•





Wall-mounted cooker hoods

Vision

Head'line

Flat'line



Width

60 cm			
75 cm	▪		
90 cm	▪	▪	▪
120 cm	▪		▪
150 cm			

Colour

White	▪		
Stainless steel		▪	▪
Black	▪		▪

Motor

Integrated	▪	▪	▪
Not included	▪	▪	▪

Exhaust

To the outside	▪	▪	▪
Recirculation	▪	▪	Optional





Vision

- Modern, clean look
- Option to install without a chimney with an exhaust to the back
- Models with recirculation as standard, making an exhaust to the outside unnecessary
- Subtle LED lighting (2,700 K)



Distance
Maximum distance
between cooker hood
and hob.



Recirculation
Standard for: 7858, 7859,
7838, 7839, 7848, 7849



In option



Sound level during normal use in dB(A) (re 1 pW)

Width (cm)	Motor	Colour	EEl	Flow power function (m ³ /h)	Minimum	Maximum	Ref.
75	Integrated	Black	A+	788	35	51	7850 ⁽³⁾
	Integrated	White	A+	788	35	51	7851 ⁽³⁾
	Integrated	Black		478	45	64	7858 ⁽³⁾ Recirculation
	Integrated	White		478	45	64	7859 ⁽³⁾ Recirculation
90	Integrated	Black	A+	808	35	51	7830
	Integrated	White	A+	808	35	51	7831
	Not included	Black		⁽¹⁾	⁽¹⁾	⁽¹⁾	7835 ⁽¹⁾
	Integrated	Black		490	45	66	7838 Recirculation
	Integrated	White		490	45	66	7839 Recirculation
120	Integrated	Black	A+	784	32	52	7840
	Integrated	White	A+	784	32	52	7841
	Integrated	Black		490	45	66	7848 Recirculation
	Integrated	White		490	45	66	7849 Recirculation

Noise levels measured in accordance with IEC 60704-2-13 standards, flow rates according to IEC 61591.

⁽¹⁾ This model should be connected to a wall motor or roof motor (see accessories).

⁽³⁾ These models are only to be used above a hob up to 60 cm wide and with up to 4 cooking zones.

**Technical specifications****Vision 75 cm**
7850 black glass /
7851 white glass**Vision 75 cm**
7858 black glass /
7859 white glass**Vision 90 cm**
7830 black glass /
7831 white glass**Functions**

Controls	Touch control	Touch control	Touch control
Number of speed settings	3 + power function	3 + power function	3 + power function
Power setting with automatic downshift (min.)	6	6	6
With noise reduction	▪	▪	▪
Recirculation		▪ (monoblock)	
InTouch function for hobs	Optional	Optional	Optional
Auto-Stop, automatic switch-off after 3 hours	▪	▪	▪
Run-on timer (min.)	10	30	10
Cleaning indicator for grease filter	▪	▪	▪
Cleaning indicator for recirculation filter		▪	

Lighting

Type of lighting (number/W)	LED (2×2)	LED (2×2)	LED (2×2)
Lighting colour (K)	2,700	2,700	2,700

Technical characteristics

Integrated motor	▪	▪	▪
Motor not included (suitable for wall motor, flat roof motor outside)			
Weight cooker hood / motor casing (kg)	27.5	22.5	30
Mains voltage (V) / Electrical connection value (W)	230 / 325	230 / 200	230 / 325

Dimensions

Dimensions (B×D) (mm)	748×426	748×426	898×426
Height of the cooker hood (Hmin–Hmax) (mm)	517 (Rear exhaust) / 830–1100 (Top exhaust)	517	517 (Rear exhaust) / 830–1100 (Top exhaust)
Maximum height with shaft extension (mm) optional	1390		1390
Exhaust opening diameter (mm)	150		150
Exhaust position	Top / rear	Top	Top / rear
Recommended installation height with an induction cooker (Hmin–Hmax) (mm)	500–750	500–750	500–750
Recommended installation height with an electric or ceramic cooker (Hmin–Hmax) (mm)	500–750	500–750	500–750
Recommended installation height with a gas cooker (Hmin–Hmax) (mm)	650–750	650–750	650–750



Vision 90 cm
7835 black glass
Not included



Vision 90 cm
7838 black glass /
7839 white glass



Vision 120 cm
7840 black glass /
7841 white glass



Vision 120 cm
7848 black glass /
7849 white glass

Touch control	Touch control	Touch control	Touch control
3 + power function	3 + power function	3 + power function	3 + power function
6	6	6	6
▪	▪	▪	▪
	▪ (monoblock)		▪ (monoblock)
Optional	Optional	Optional	Optional
▪	▪	▪	▪
10	30	10	30
▪	▪	▪	▪
	▪		▪
LED (2×2)	LED (2×2)	LED (2×2)	LED (2×2)
2,700	2,700	2,700	2,700
	▪		▪
▪			
25 + motor	25	32.5	27.5
230 / 7 + motor	230 / 200	230 / 325	230 / 200
898×426	898×426	1198×426	1198×426
517 (Rear exhaust) / 830-1100 (Top exhaust)	517	517 (Rear exhaust) / 830-1100 (Top exhaust)	517
1390		1390	
150		150	
Top / rear	Top	Top / rear	Boven
500-750	500-750	500-750	500-750
500-750	500-750	500-750	500-750
650-750	650-750	650-750	650-750

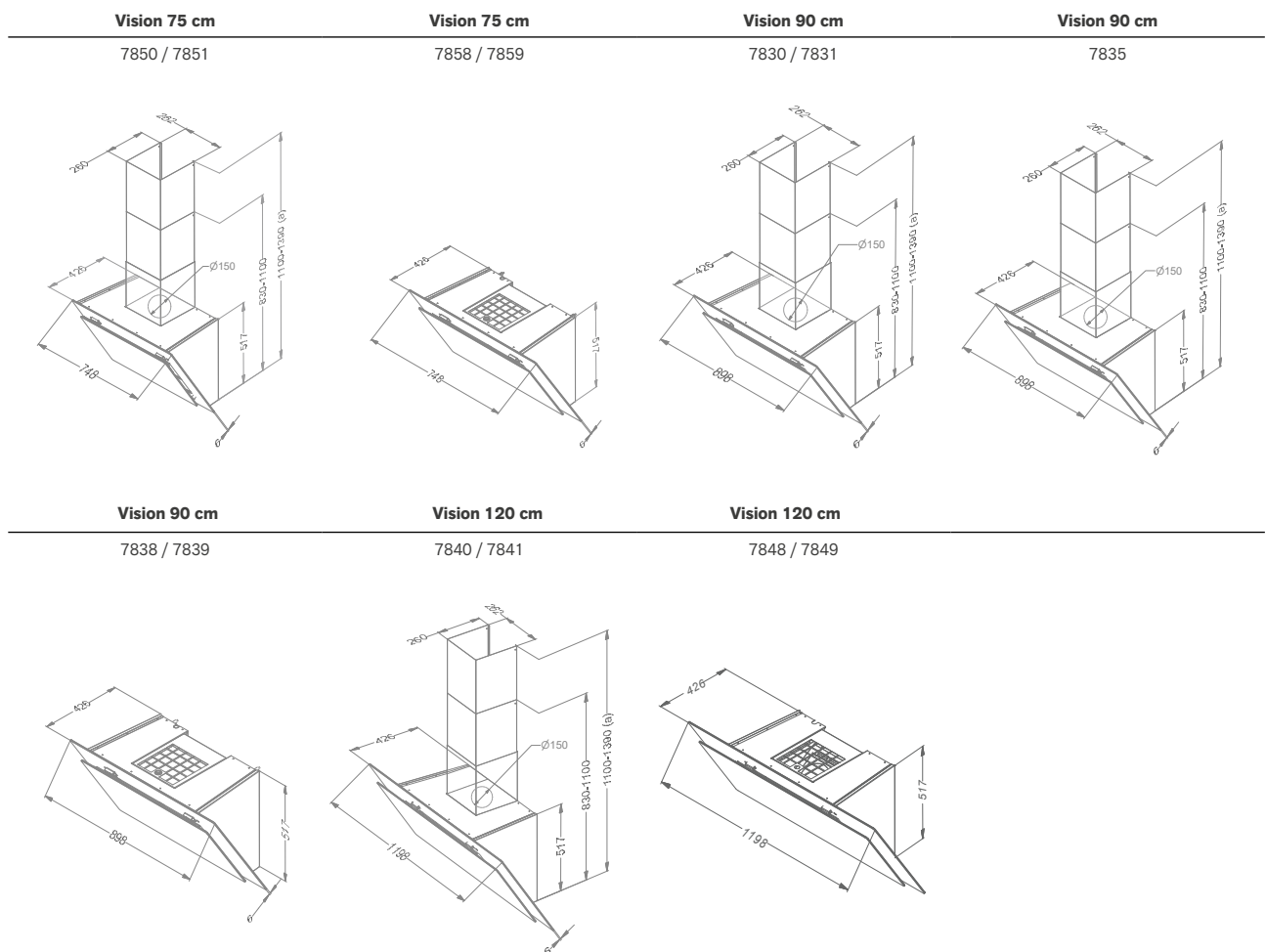


Air quantity and sound level

Type	Maximum free flow rate (m ³ /h)	Air quantity (m ³ /h) / pressure (Pa)				Noise level dB(A) sound pressure (re20μPa) / sound power (re 1 pW)				
		Setting I	Setting II	Setting III	Power setting	Setting I	Setting II	Setting III	Power setting	
7850, 7851	Integrated motor	800	248 / 327	333 / 492	495 / 550	788 / 577	25 / 35	33 / 43	40 / 51	51 / 62
7858, 7859	Integrated motor	800	126	191	418	478	34 / 45	45 / 55	53 / 64	59 / 70
7830, 7831	Integrated motor	800	244 / 329	341 / 501	467 / 558	808 / 585	25 / 35	32 / 42	41 / 51	51 / 62
7835	Not included	(1)	(1)	(1)	(1)	(1)	(1)	(1)	(1)	(1)
7838, 7839	Integrated motor	800	124	196	394	490	34 / 45	45 / 55	55 / 66	59 / 70
7840, 7841	Integrated motor	800	239 / 321	318 / 501	483 / 558	784 / 589	25 / 32	32 / 42	41 / 52	51 / 62
7848, 7849	Integrated motor	800	124	196	394	490	35 / 45	45 / 55	56 / 66	60 / 70

Noise levels measured in accordance with IEC 60704-2:13 standards, flow rates according to IEC 61591.

Technical drawings



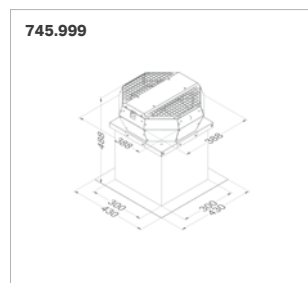
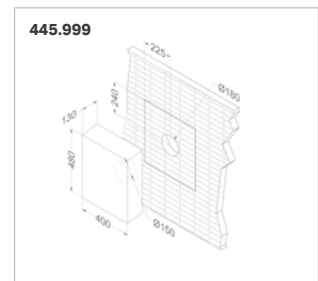
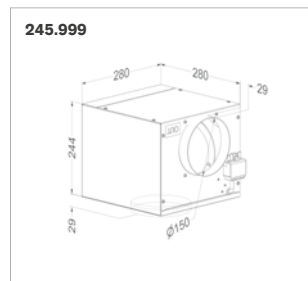
(a) Met supplementair verlengstuk - ** Met recirculatie

(1) De dampkap dient aangesloten te worden op twee geveldmotoren type 445.999 of twee dakmotoren (zie accessoires). De luchthoeveelheid / geluidsniveau is afhankelijk van het type motoren en van de installatie.



Accessories

	Reference	7850 / 7851	7858 / 7859	7830 / 7831	7835	7838 / 7839	7840 / 7841	7848 / 7849
Motor at a distance								
Remote motor for inside	245.999				•			
Wall motor, minimum 5 m between cooker hood and motor	445.999				•			
Roof motor 48.8 cm height	745.999				•			
Roof motor with noise reduction 78.4 cm height	755.999				•			
Recirculation								
Monoblock replacement filter	7400.055		•			•		•
Miscellaneous								
Kit with LED lighting (4,000 K)	906.303	•	•	•	•	•	•	•
Chimney extension	7830.100	•		•	•		•	
Grease filter (replacement)	7830.020 (2×)	•	•	•	•	•	•	•
Kit for remote control (InTouch)	990.021	•	•	•	•	•	•	•
Extension cable for remote motors (5 m)	7000.092				•			







Head'line

- Flat cooker hood with subtle LED strip
- Option to install without a chimney with an exhaust at the back
- Model 7809 has recirculation as standard, which makes an exhaust to the outside unnecessary
- LED strip (4,000 K)



Distance
Maximum distance between cooker hood and hob.



Recirculation
Recirculation is optional. Standard for: 7809



In option



Width (cm)	Motor	Colour	EEI	Flow power function (m ³ /h)	Sound level during normal use in dB(A) (re 1 pW)		Ref.
					Minimum	Maximum	
90	Integrated	Stainless steel	A	764	34	51	7800
	Not included ⁽¹⁾	Stainless steel		⁽¹⁾	⁽¹⁾	⁽¹⁾	7805
	Integrated	Stainless steel		759	37	58	7809 Recirculation

Noise levels measured in accordance with IEC 60704-2-13 standards, flow rates according to IEC 61591.

⁽¹⁾ This model should be connected to an internal motor, a wall motor or roof motor (see accessories).

**Technical specifications****Head'line 90 cm
7800 stainless steel****Head'line 90 cm
7805 stainless steel
Not included****Head'line 90 cm
7809 stainless steel****Functions**

Controls	Buttons	Buttons	Buttons
Number of speed settings	3 + power function	3 + power function	3 + power function
Power setting with automatic downshift (min.)	6	6	6
With noise reduction	▪	▪	▪
Recirculation			▪ (monoblock)
InTouch function for hobs	Optional	Optional	Optional
Auto-Stop, automatic switch-off after 3 hours	▪	▪	▪
Run-on timer (min.)	10	10	30
Cleaning indicator for grease filter	▪	▪	▪
Cleaning indicator for recirculation filter			▪

Lighting

Type of lighting (number/W)	LED strip (20)	LED strip (20)	LED strip (20)
Lighting colour (K)	4,000	4,000	4,000

Technical characteristics

Integrated motor	▪		▪
Motor not included (suitable for wall motor, flat roof motor outside)		▪	
Weight cooker hood / motor casing (kg)	34	27 + motor	33
Mains voltage (V) / Electrical connection value (W)	230 / 307	230 / 20 + motor	230 / 284

Dimensions (mm)

Dimensions (W×D×H) (mm)	900×640	900×640	900×640
Height of the cooker hood (Hmin–Hmax) (mm)	630 (Rear exhaust) / 1040–1300 (Top exhaust)	630 (Rear exhaust) / 1040–1300 (Top exhaust)	630
Height van de Cooker hood met Recirculation (Hmin–Hmax) (mm)			630
Maximum height with shaft extension (mm) optional	1900	1900	
Exhaust opening diameter (mm)	150	150	
Exhaust position	Top / rear	Top / rear	Top
Recommended installation height with an induction cooker (Hmin–Hmax) (mm)	500–600	500–600	500–600
Recommended installation height with an electric or ceramic cooker (Hmin–Hmax) (mm)	500–600	500–600	500–600
Recommended installation height with a gas cooker (Hmin–Hmax) (mm)	500–600	500–600	500–600



Air quantity and sound level

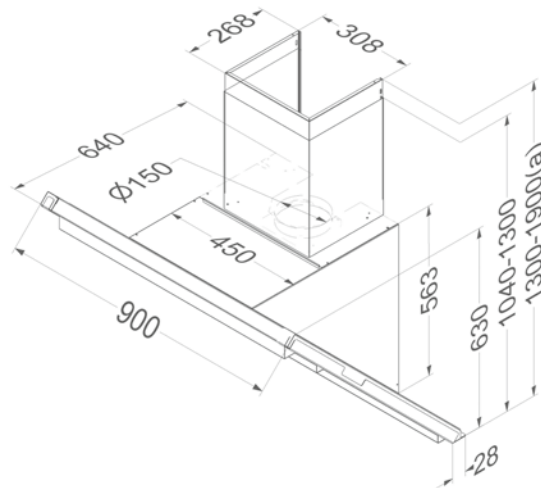
Type	Maximum free flow rate (m ³ /h)	Air quantity (m ³ /h) / pressure (Pa)				Noise level dB(A) sound pressure (re20μPa) / sound power (re 1pW)			
		Setting I	Setting II	Setting III	Power setting	Setting I	Setting II	Setting III	Power setting
7800 Integrated motor	800	232 / 313	349 / 483	512 / 540	764 / 563	24 / 34	32 / 42	40 / 51	49 / 60
7805 Not included	(1)	(1)	(1)	(1)	(1)	(1)	(1)	(1)	(1)
7809 Integrated motor	800	182	309	497	759	27 / 37	37 / 48	47 / 58	56 / 67

Noise levels measured in accordance with IEC 60704-2-13 standards, flow rates according to IEC 61591.

Technical drawings

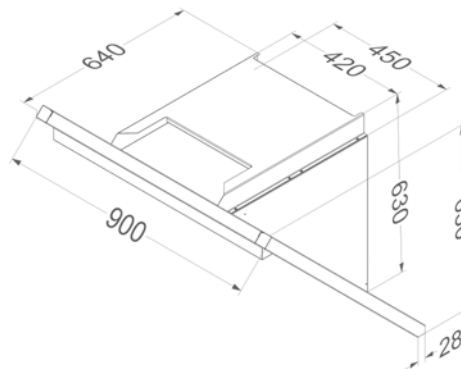
Head'line 90 cm

7800 / 7805



Head'line 90 cm

7809

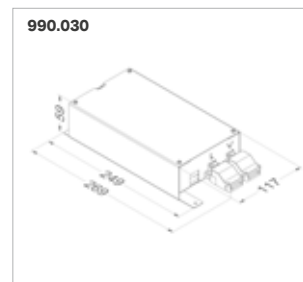
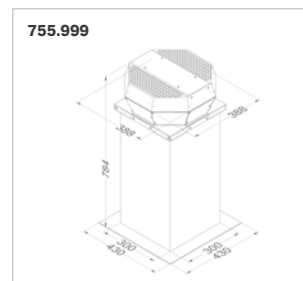
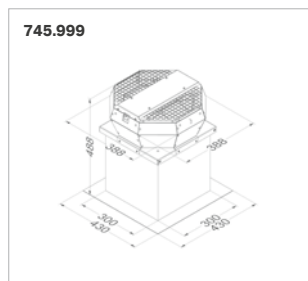
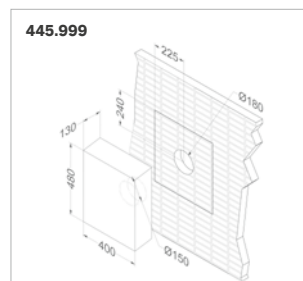
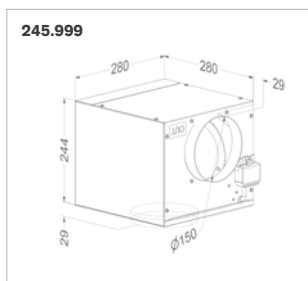


a) With chimney extension - **With recirculation

(1) This cooker hood should be connected to a wall motor or roof motor (see accessories). The air volume/noise level depends on the type of motor and installation.

Accessories

	Reference	7800	7805	7809
Motor at a distance				
Remote motor for inside	245.999		•	
Wall motor, minimum 5 m between cooker hood and motor	445.999		•	
Roof motor 48.8 cm height	745.999		•	
Roof motor with noise reduction 78.4 cm height	755.999		•	
Miscellaneous				
Chimney extension	7410.100	•	•	
Rugwandpaneel 900x500x15 (B×H×D)(mm) Stainless steel	150.250	•	•	•
Grease filter (replacement)	7400.020 (2×)	•	•	•
Kit for remote control (InTouch)	990.021	•	•	•
Extension cable for remote motors (5 m)	7000.092		•	
Kit connection with external cover and/or lighting	990.030	•	•	•



Accessories

	Reference	7800	7805	7809
Recirculation				
Monoblock replacement filter	830.055 (2x)			•







Flat'line

- Extra slim lines
- Seamless finish
- Subtle looking LED lighting (2,700 K)
- Reversible chimney for recirculation as standard

**InTouch**

Function for controlling the cooker hood from the hob. In option

**Distance**

Maximum distance between cooker hood and hob.

**Recirculation**

Recirculation is optional.



In option



Width (cm)	Motor	Colour	EEI	Flow power function (m ³ /h)	Sound level during normal use in dB(A) (re 1 pW)		Ref.
					Minimum	Maximum	
90	Integrated	Stainless steel	A+	635	35	55	7600
	Integrated	Black	A+	635	35	55	7602
	Not included ⁽¹⁾	Stainless steel		⁽¹⁾	⁽¹⁾	⁽¹⁾	7605
120	Integrated	Stainless steel	A+	631	36	55	7610
	Integrated	Black	A+	631	36	55	7612
	Not included ⁽¹⁾	Stainless steel		⁽¹⁾	⁽¹⁾	⁽¹⁾	7615

Noise levels measured in accordance with IEC 60704-2-13 standards, flow rates according to IEC 61591.

(1) These models should be connected to an internal motor, a wall motor or roof motor (see accessories).



Technical specifications



Flat'line wand 90 cm
7600 stainless steel /
7602 black
(≈RAL 9005)



Flat'line wand 90 cm
7605 stainless steel
Not included



Flat'line wand 120 cm
7610 stainless steel /
7612 black
(≈RAL 9005)



Flat'line wand 120 cm
7615 stainless steel
Not included

Functions

Controls	Buttons	Buttons	Buttons	Buttons
Number of speed settings	3 + power function	3 + power function	3 + power function	3 + power function
Power setting with automatic downshift (min.)	6	6	6	6
With noise reduction	▪	▪	▪	▪
Recirculation	Optional (monoblock)		Optional (monoblock)	
InTouch function for hobs	Optional	Optional	Optional	Optional
Auto-Stop, automatic switch-off after 3 hours	▪	▪	▪	▪
Run-on timer (min.)	10	10	10	10
Cleaning indicator for grease filter	▪	▪	▪	▪
Cleaning indicator for recirculation filter	▪		▪	

Lighting

Type of lighting (number/W)	LED (4×2) / dimmable	LED (4×2) / dimmable	LED (4×2) / dimmable	LED (4×2) / dimmable
Lighting colour (K)	2,700	2,700	2,700	2,700

Technical characteristics

Integrated motor	▪		▪	
Motor not included (suitable for wall motor, flat roof motor outside)		▪		▪
Weight cooker hood / motor casing (kg)	30	27 + motor	38.5	35.5 + motor
Mains voltage (V) / Electrical connection value (W)	230 / 118	230 / 12 + motor	230 / 117	230 / 12 + motor

Dimensions

Dimensions (W×D×H) (mm)	898×554	898×554	1198×554	1198×554
Height of the cooker hood (Hmin–Hmax) (mm)	660–1050	660–1050	660–1050	660–1050
Height of the cooker hood with recirculation (Hmin–Hmax) (mm)	730–1120		730–1120	
Maximum height with shaft extension (mm) optional	1410	1410	1410	1410
Maximum height with shaft extension with recirculation (mm) optional	1480		1480	
Exhaust opening diameter (mm)	150	150	150	150
Exhaust position	Top	Top	Top	Top
Recommended installation height with an induction cooker (Hmin–Hmax) (mm)	650–750	650–750	650–750	650–750
Recommended installation height with an electric or ceramic cooker (Hmin–Hmax) (mm)	600–750	600–750	600–750	600–750
Recommended installation height with a gas cooker (Hmin–Hmax) (mm)	650–750	650–750	650–750	650–750



Luchthoeveelheid en geluidsniveau

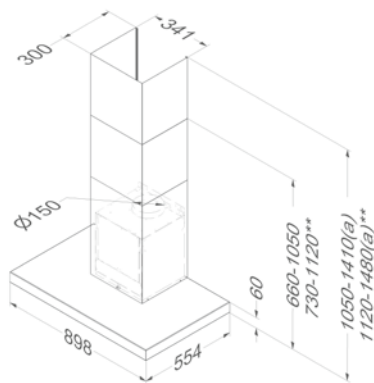
Type		Maximum free flow rate (m ³ /h)	Air quantity (m ³ /h) / pressure (Pa)				Noise level dB(A) sound pressure (re20μPa) / sound power (re 1 pW)			
			Setting I	Setting II	Setting III	Setting IV / Power setting	Setting I	Setting II	Setting III	Setting IV / Power setting
7600, 7602	Integrated motor	815	233 / 70	415 / 240	551 / 384	635 / 385	24 / 35	36 / 47	44 / 55	46 / 57
7605	Not included		(1)	(1)	(1)	(1)	(1)	(1)	(1)	(1)
7610, 7612	Integrated motor	815	259 / 83	420 / 247	550 / 380	631 / 381	26 / 36	38 / 49	44 / 55	48 / 59
7615	Not included		(1)	(1)	(1)	(1)	(1)	(1)	(1)	(1)

Noise levels measured in accordance with IEC 60704-2-13 standards, flow rates according to IEC 61591.

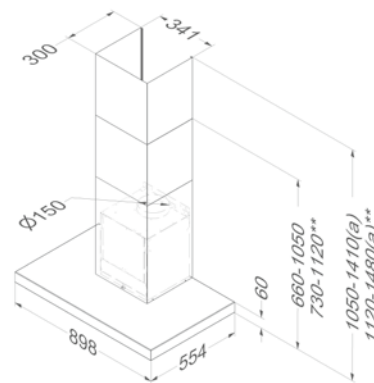
Technical drawings

Flat'line wand 90 cm

7600 / 7602

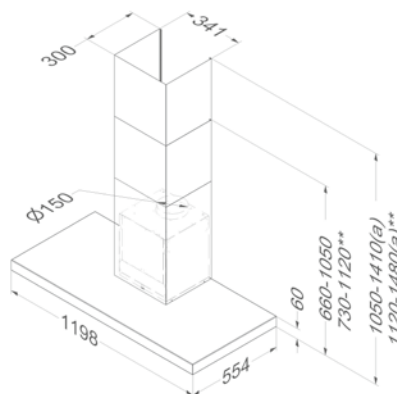


7605

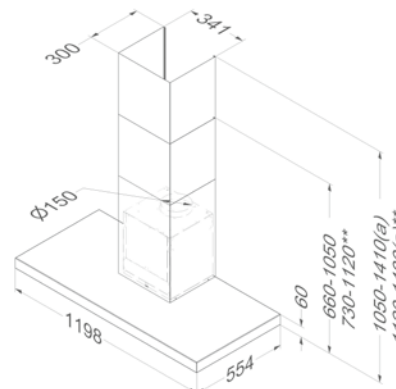


Flat'line wand 120 cm

7610 / 7612



7615



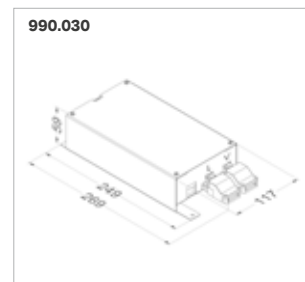
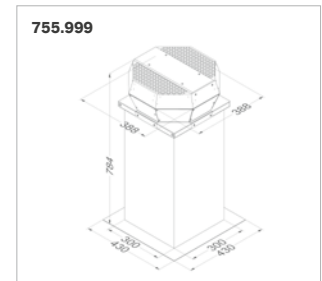
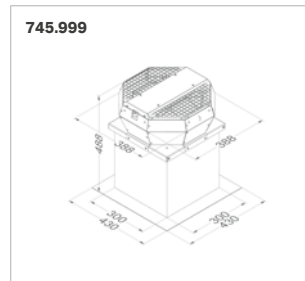
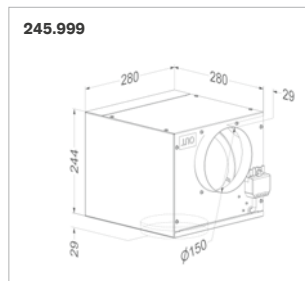
a) With chimney extension - **With recirculation

(1) This cooker hood should be connected to a wall motor or roof motor (see accessories). The air volume/noise level depends on the type of motor and installation.



Accessories

	Reference	7600	7602	7605	7610	7612	7615
Motor at a distance							
Remote motor for inside	245.999			•			•
Wall motor, minimum 5 m between cooker hood and motor	445.999			•			•
Roof motor 48.8 cm height	745.999			•			•
Roof motor with noise reduction 78.4 cm height	755.999			•			•
Miscellaneous							
Chimney extension Stainless steel	7600.100	•		•	•		•
Chimney extension Black	7602.100		•			•	
Back panel 900×690×15 (B×H×D) (mm) Stainless steel	150.200	•		•			
Back panel 900×690×15 (B×H×D) (mm) Black	152.200		•				
Back panel 900×750×15 (B×H×D) (mm) Stainless steel	150.275	•		•			
Back panel 1200×690×15 (B×H×D) (mm) Stainless steel	170.200				•		•
Back panel 1200×690×15 (B×H×D) (mm) Black	172.200					•	
Back panel 1200×750×15 (B×H×D) (mm) Stainless steel	170.275				•		•
Grease filter (replacement)	7400.020	•	•	•	•	•	•
Kit with LED lighting (4,000 K)	906.307	•	•	•	•	•	•
Kit for remote control (InTouch)	990.026	•	•	•	•	•	•
Extension cable for remote motors (5 m)	7000.092			•			•
Kit connection with external cover and/or lighting	990.030	•	•	•	•	•	•





Accessories

	Reference	7600	7602	7605	7610	7612	7615
Recirculation							
Recirculation kit	7600.400	•	•		•	•	
Monoblock replacement filter	7600.060	•	•		•	•	







Pro'line

- Sleek and sturdy design
- Seamless finish
- Maximum efficiency but extremely quiet
- Subtle LED lighting (2,700 K)
- Reversible chimney for recirculation as standard

**Distance**

Maximum distance between cooker hood and hob.

**InTouch**

Function for controlling the cooker hood from the hob. In option

**Recirculation**

Recirculation is optional.



In option



Sound level during normal use in dB(A) (re 1 pW)

Width (cm)	Motor	Colour	EEI	Flow power function (m ³ /h)	Sound level during normal use in dB(A) (re 1 pW)		Ref.
					Minimum	Maximum	
90	Integrated	Stainless steel	B	511	41	53	7211
120	Integrated	Stainless steel	B	794	49	60	7221
150	Integrated	Stainless steel	B	846	48	61	7300

Noise levels measured in accordance with IEC 60704-2-13 standards, flow rates according to IEC 61591.



Technical specifications



**Pro'line wand 90 cm
7211 stainless steel**



**Pro'line wand 120 cm
7221 stainless steel**



**Pro'line wand 150 cm
7300 stainless steel**

Functions

Controls	Buttons	Buttons	Buttons
Number of speed settings	3 + power function	3 + power function	3 + power function
Power setting with automatic downshift (min.)	6	6	6
With noise reduction	▪	▪	▪
Recirculation	Optional (monoblock)	Optional (monoblock)	Optional (monoblock)
InTouch function for hobs	Optional	Optional	Optional
Auto-Stop, automatic switch-off after 3 hours	▪	▪	▪
Run-on timer (min.)	10	10	10
Cleaning indicator for grease filter	▪	▪	▪
Cleaning indicator for recirculation filter	▪	▪	▪

Lighting

Type of lighting (number/W)	LED (4×2)	LED (4×2)	LED (4×2)
Lighting colour (K)	2,700	2,700	2,700

Technical characteristics

Integrated motor	▪	▪	▪
Weight cooker hood / motor casing (kg)	31,5	40	47
Mains voltage (V) / Electrical connection value (W)	230 / 145	230 / 264	230 / 278

Dimensions

Dimensions (B×D) (mm)	898×554	1198×554	1498×554
Height of the cooker hood (Hmin–Hmax) (mm)	710–1100	710–1100	710–1100
Height of the cooker hood with recirculation (Hmin–Hmax) (mm)	780–1170	780–1170	780–1170
Maximum height with shaft extension (mm) optional	1460	1460	1460
Maximum height with shaft extension with recirculation (mm) optional	1530	1530	1530
Exhaust opening diameter (mm)	150	150	150
Exhaust position	Top	Top	Top
Recommended installation height with an induction cooker (Hmin–Hmax) (mm)	650–750	650–750	650–750
Recommended installation height with an electric or ceramic cooker (Hmin–Hmax) (mm)	600–750	600–750	600–750
Recommended installation height with a gas cooker (Hmin–Hmax) (mm)	650–750	650–750	650–750



Air quantity and sound level

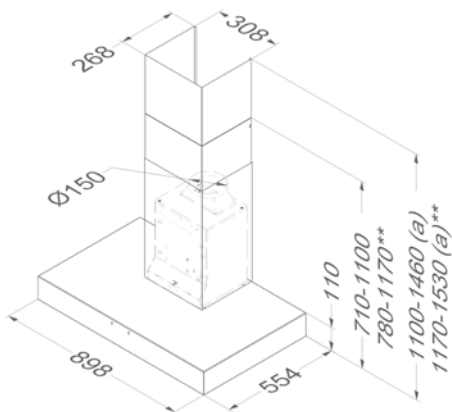
Type	Maximum free flow rate (m ³ /h)	Air quantity (m ³ /h) / pressure (Pa)				Noise level dB(A) sound pressure (re20µPa) / sound power (re 1pW)			
		Setting I	Setting II	Setting III	Power setting	Setting I	Setting II	Setting III	Power setting
7211 Integrated motor	700	225 / 295	304 / 327	390 / 345	511 / 365	29 / 41	35 / 48	40 / 53	45 / 58
7221 Integrated motor	1000	323 / 360	407 / 368	563 / 397	794 / 418	36 / 49	42 / 55	48 / 60	52 / 64
7300 Integrated motor	1000	323 / 361	406 / 383	569 / 403	846 / 422	35 / 48	41 / 54	48 / 61	54 / 66

Noise levels measured in accordance with IEC 60704-2-13 standards, flow rates according to IEC 61591.

Technical drawings

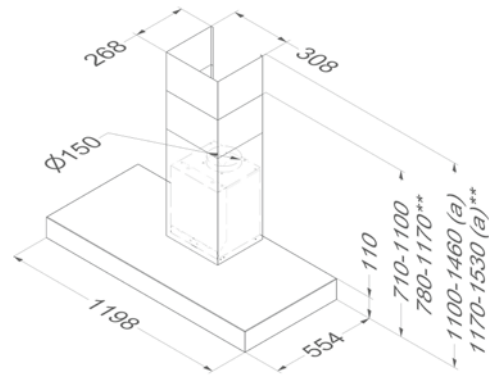
Pro'line wand 90 cm

7211



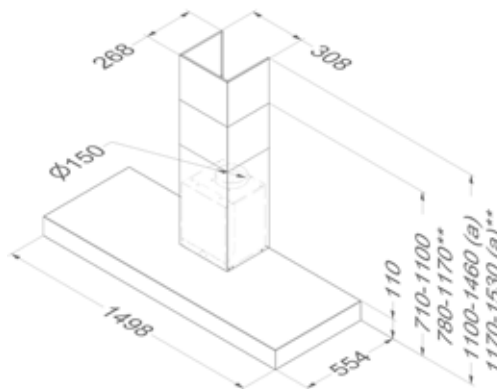
Pro'line wand 120 cm

7221



Pro'line wand 150 cm

7300



WALLMOUNTED
COOKER
HOODS

a) With chimney extension - **With recirculation

Accessories

	Reference	7211	7221	7300
Miscellaneous				
Chimney extension Stainless steel	7410.100	▪	▪	▪
Back panel 900×690×15 (B×H×D) (mm) Stainless steel	150.200	▪		
Back panel 900×750×15 (B×H×D) (mm) Stainless steel	150.275	▪		
Back panel 1200×690×15 (B×H×D) (mm) Stainless steel	170.200		▪	
Back panel 1200×750×15 (B×H×D) (mm) Stainless steel	170.275		▪	
Back panel 1500×690×15 (B×H×D)(mm) Stainless steel	7200.200			▪
Back panel 1500×750×15 (B×H×D) (mm) Stainless steel	7200.275			▪
Grease filter (replacement)	7400.020	▪	▪	
Grease filter (replacement)	7400.020 (2×)			▪
Kit for remote control (InTouch)	990.021	▪	▪	▪
Kit connection with external cover and/or lighting	990.030	▪	▪	▪
Kit with LED lighting (4,000 K)	906.307 (2×)	▪	▪	▪





Accessories

	Reference	7211	7221	7300
Recirculation				
Recirculation kit	7210.400	•	•	
Recirculation kit	7300.400			•
Monoblock replacement filter	7300.055	•	•	
Monoblock replacement filter	7300.055 (2x)			•







Salsa

- Slim design
- High quality simplicity
- Easy and simple control
- Reversible chimney for recirculation as standard

**Distance**

Maximum distance between cooker hood and hob.

**Recirculation**

Recirculation is optional.



Width (cm)	Motor	Colour	EEL	Flow power function (m ³ /h)	Sound level during normal use in dB(A) (re 1 pW)		Ref.
					Minimum	Maximum	
60	Integrated	Stainless steel	A	617	48	58	6500
90	Integrated	Stainless steel	A	640	45	57	6510

Noise levels measured in accordance with IEC 60704-2-13 standards, flow rates according to IEC 61591.



Technical specifications



**Salsa wand 60 cm
6500 stainless steel**



**Salsa wand 90 cm
6510 stainless steel**

Functions

Controls	Buttons	Buttons
Number of speed settings	3 + power function	3 + power function
Power setting with automatic downshift (min.)	5	5
Recirculation	Optional (Carbon cartridge replacement)	Optional (Carbon cartridge replacement)
Run-on timer (min.)	5, 10, 15, 20	5, 10, 15, 20
Cleaning indicator for grease filter	▪	▪
Replacement indicator for recirculation filter	▪	▪

Lighting

Type of lighting (number/W)	LED (2×2)	LED (3×2)
Lighting colour (K)	3,000	3,000

Technical characteristics

Integrated motor	▪	▪
Weight cooker hood / motor casing (kg)	18	20
Mains voltage (V) / Electrical connection value (W)	230 / 210	230 / 241

Dimensions

Dimensions (B×D) (mm)	598×520	898×520
Height of the cooker hood (Hmin–Hmax) (mm)	710–1140	710–1140
Height of the cooker hood with recirculation (Hmin–Hmax) (mm)	765–1205	765–1205
Maximum height with shaft extension (mm) optional	1460	1460
Maximum height with shaft extension with recirculation (mm) optional	1525	1525
Exhaust opening diameter (mm)	150	150
Exhaust position	Top	Top
Recommended installation height with an induction cooker (Hmin–Hmax) (mm)	650–750	650–750
Recommended installation height with an electric or ceramic cooker (Hmin–Hmax) (mm)	600–750	600–750
Recommended installation height with a gas cooker (Hmin–Hmax) (mm)	650–750	650–750

Air quantity and sound level

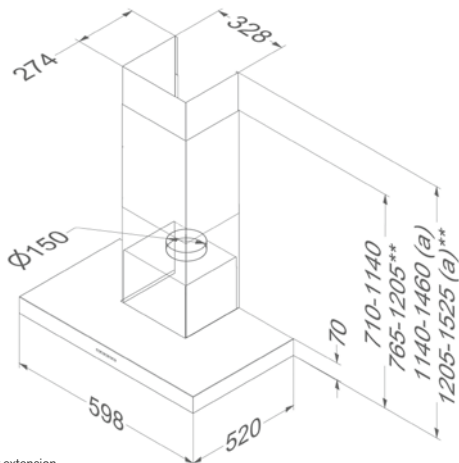
Type	Maximum free flow rate (m ³ /h)	Air quantity (m ³ /h) / pressure (Pa)				Noise level dB(A) sound pressure (re20μPa) / sound power (re 1pW)			
		Setting I	Setting II	Setting III	Power setting	Setting I	Setting II	Setting III	Power setting
6500 Integrated motor	700	244 / 403	318 / 468	419 / 512	617 / 549	36 / 48	41 / 53	47 / 58	55 / 67
6510 Integrated motor	700	248 / 413	329 / 466	423 / 505	640 / 544	33 / 45	38 / 51	44 / 57	54 / 66



Technical drawings

Salsa wand 60 cm

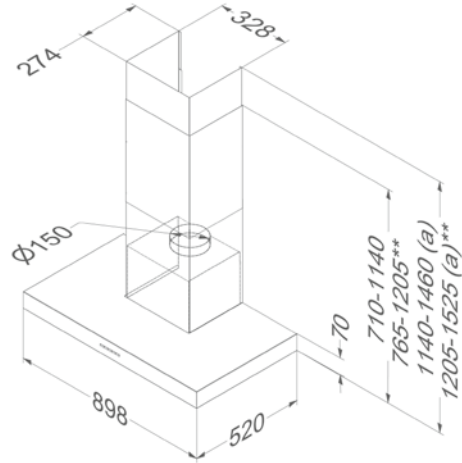
6500



a) With chimney extension -
** With recirculation

Salsa wand 90 cm

6510



Accessories

	Reference	6500	6510
Motor at a distance			
Chimney extension Stainless steel	6200.100	•	•
Back panel 600×690×15 (B×H×D) (mm) Stainless steel	140.200	•	
Back panel 900×690×15 (B×H×D) (mm) Stainless steel	150.200		•
Back panel 900×750×15 (B×H×D) (mm) Stainless steel	150.275		•
Grease filter (replacement)	6200.020 (2×)	•	•
Recirculation			
Recirculation kit	6200.400	•	•
Carbon cartridge replacements (replacement)	6200.055	•	•





Island cooker hoods

Mood

Zen



Width

90 cm		
100 cm		
108 cm	▪	
120 cm		▪

Colour

White	▪	▪
Stainless steel		
Black	▪	
Steel look	▪	

Motor

Integrated	▪	▪
Not included		

Exhaust

To the outside		
Recirculation	▪	▪



Flat'line

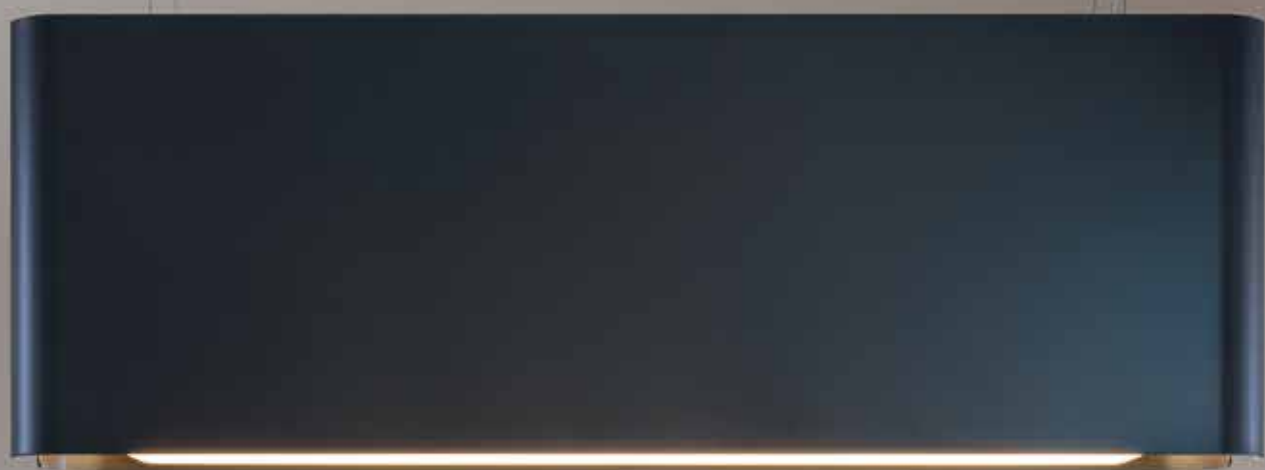
Pro'line



	▪	
	▪	▪
	▪	▪
	▪	▪
	▪	▪
	▪	▪
	▪	▪
	Optional	Optional

p. 180

p. 188



Mood

- Efficient cooker hood and lighting in one
- Adjustable light intensity and colour temperature from 2,700 K to 5,000 K
- Recirculation as standard for additional planning options



Premium
Product distributed through a selection of partners.



Recirculation
Standard with recirculation.



InTouch
Function for controlling the cooker hood from the hob.



Remote control
Supplied as standard with Remote control.



Width (cm)	Motor	Colour	Flow setting 4 (m ³ /h)	Sound level during normal use in dB(A) (re 1 pW)		Ref.
				Minimum	maximum	
108	Integrated	White	661	53	69	7550
	Integrated	Black	661	53	69	7552
	Integrated	Steel look	661	53	69	7555

Noise levels measured in accordance with IEC 60704-2-13 standards, flow rates according to IEC 61591.



Technical specifications

Mood 108 cm
7550 white / 7552 black /
7555 steel look



Functions

Controls	Remote control
Number of speed settings	4
With noise reduction	•
Recirculation	• (monoblock)
InTouch function for hobs	•
Auto-Stop, automatic switch-off after 3 hours	•
Run-on timer (min.)	30
Cleaning indicator for grease filter	•
Cleaning indicator for recirculation filter	•

Lighting

Type of lighting (number/W)	LED (32)
Colour lighting (K)	Between 2,700 and 5,000 (functional and ambient lighting)

Technical characteristics

Colour	7550 white (≈RAL 9003) / 7552 black (≈RAL 9005) 7555 steel look
Integrated motor	•
Weight cooker hood / motor casing (kg)	32
Mains voltage (V) / Electrical connection value (W)	230 / 131

Dimensions

Dimensions (B×D) (mm)	1080×246
Height van de Cooker hood (mm)	370
Exhaust position	Top
Recommended installation height with an induction cooker (Hmin–Hmax) (mm)	650–850
Recommended installation height with an electric or ceramic cooker (Hmin–Hmax) (mm)	600–850
Recommended installation height with a gas cooker (Hmin–Hmax) (mm)	650–850

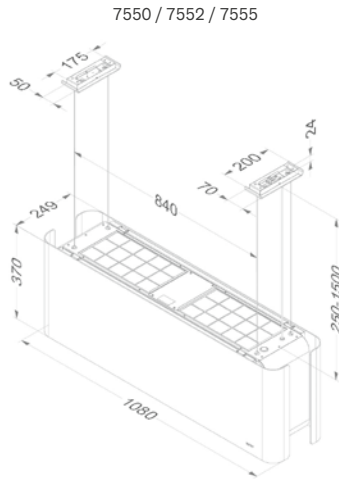
Air quantity and sound level

Type	Maximum free flow rate (m ³ /h)	Air quantity (m ³ /h)				Noise level dB(A) sound pressure (re20μPa) / sound power (re 1pW)			
		Setting I	Setting II	Setting III	Setting IV	Setting I	Setting II	Setting III	Setting IV
7550, 7552, 7555 Integrated motor	1010	324	432	534	661	41 / 53	47 / 59	52 / 64	57 / 69

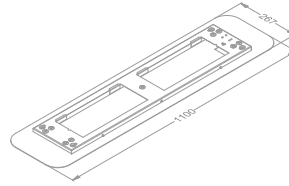


Technical drawings

Mood



7550.500 / 7552.500 / 7555.500



Accessories

	Reference	7550	7552	7555
Miscellaneous				
Grease filter (replacement)	7550.030 (4x)	•	•	
Kit with longer hanging cables (4x3,5 m)	7550.100	•	•	•
Mounting set black	7552.300		•	
Mounting set steel look	7555.300			•
Ceiling plate white	7550.500	•		
Ceiling plate black	7552.500		•	
Ceiling plate steel look	7555.500			•
Recirculation				
Monoblock replacement filter	7550.400	•	•	•











Zen

- An attractive design due to its translucent solid surface
- With warm ambient lighting (2,700 K) or neutral lighting (4,000 K)
- Functional LED lighting warm white (2,700 K) adjustable to neutral white (4,000 K) and vice versa
- Recirculation as standard, which makes an exhaust to the outside unnecessary

**Recirculation**

Standard with recirculation.

**InTouch**

Function for controlling the cooker hood from the hob.

**Remote control**

Supplied as standard with Remote control.

**Distance**

Maximum distance between cooker hood and hob.



Width (cm)	Motor	Colour	Flow power function (m ³ /h)	Sound level during normal use in dB(A) (re 1 pW)		Ref.
				Minimum	maximum	
120	Integrated	Warm white	497	39	58	7510 (2,700 K)
	Integrated	Neutral white	497	39	58	7520 (4,000 K)

Noise levels measured in accordance with IEC 60704-2-13 standards, flow rates according to IEC 61591.



Technical specifications



**Zen 120 cm
7510 white (solid surface)
warm white**



**Zen 120 cm
7520 white (solid surface)
neutral white**

Functions

Controls	Buttons + remote control	Buttons + remote control
Number of speed settings	3 + power function	3 + power function
Power setting with automatic downshift (min.)	6	6
With noise reduction	•	•
Recirculation	• (monoblock)	• (monoblock)
InTouch function for hobs	•	•
Auto-Stop, automatic switch-off after 3 hours	•	•
Run-on timer (min.)	30	30
Cleaning indicator for grease filter	•	•
Cleaning indicator for recirculation filter	•	•

Lighting

Type of lighting (number/W)	LED (4×2) + T5 (2×8 + 2×21 warm white)	LED (4×2) + T5 (2×8 + 2×21 neutral white)
Lighting colour (K)	2,700	4,000

Technical characteristics

Integrated motor	•	•
Weight cooker hood / motor casing (kg)	49	49
Mains voltage (V) / Electrical connection value (W)	230 / 180	230 / 180

Dimensions

Dimensions (B×D) (mm)	1200×550	1200×550
Height van de Cooker hood (mm)	370	370
Exhaust position	Top	Top
Recommended installation height with an induction cooker (Hmin–Hmax) (mm)	650–850	650–850
Recommended installation height with an electric or ceramic cooker (Hmin–Hmax) (mm)	600–850	600–850
Recommended installation height with a gas cooker (Hmin–Hmax) (mm)	650–850	650–850

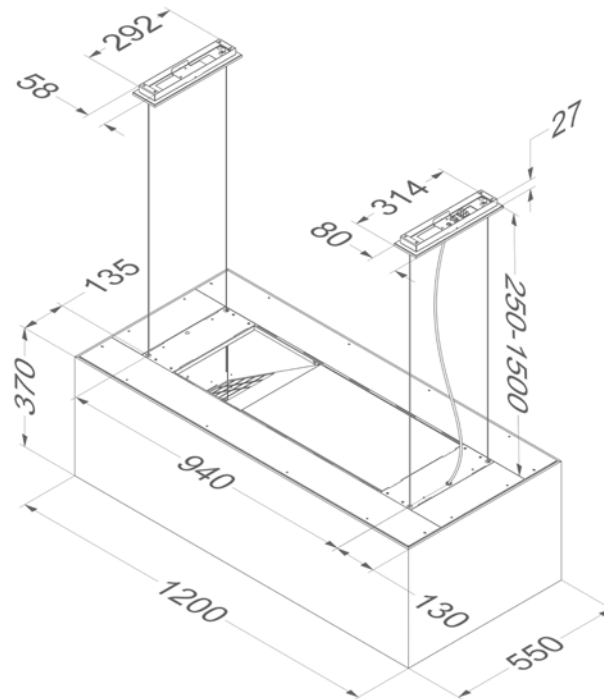
Air quantity and sound level

Type	Maximum free flow rate (m ³ /h)	Air quantity (m ³ /h)				Noise level dB(A) sound pressure (re20μPa) / sound power (re 1pW)				
		Setting I	Setting II	Setting III	Setting IV	Setting I	Setting II	Setting III	Setting IV	
7510, 7520	Integrated motor	815	185	318	429	497	26 / 39	39 / 52	45 / 58	48 / 61

Technical drawings

Zen

7510 / 7520



Accessories

	Reference	7510	7520
Miscellaneous			
Grease filter (replacement)	7400.020	•	•
Kit with longer hanging cables (4x3,5 m)	7500.100	•	•
Recirculation			
Monoblock replacement filter	7300.055	•	•

7400.020



7500.100



7300.055

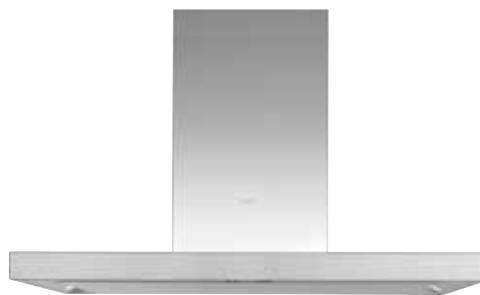






Flat'line

- Extra slim lines
- Seamless finish
- Subtle looking LED lighting (2,700 K)
- Reversible chimney for recirculation as standard



Distance
Maximum distance
between cooker hood
and hob.



Recirculation
Recirculation is optional.



InTouch
Function for controlling the
cooker hood from the hob.
In option



In option



Width (cm)	Motor	Colour	EEI	Flow power function (m ³ /h)	Sound level during normal use in dB(A) (re 1 pW)		Ref.
					Minimum	Maximum	
90	Integrated	Stainless steel	A+	707	35	53	7640
	Integrated	Black	A+	707	35	53	7642
	Not included ⁽¹⁾	Stainless steel		⁽¹⁾	⁽¹⁾	⁽¹⁾	7645
100	Integrated	Stainless steel	A	743	47	57	7650
	Not included ⁽¹⁾	Stainless steel		⁽¹⁾	⁽¹⁾	⁽¹⁾	7655
120	Integrated	Stainless steel	A	744	47	57	7660
	Not included ⁽¹⁾	Stainless steel		⁽¹⁾	⁽¹⁾	⁽¹⁾	7665

Noise levels measured in accordance with IEC 60704-2-13 standards, flow rates according to IEC 61591.

⁽¹⁾ These models should be connected to an internal motor, a wall motor or roof motor (see accessories).



Technical specifications



**Flat'line island 90 cm
7640 stainless steel /
7642 black (≈RAL 9005)**



**Flat'line island 90 cm
7645 stainless steel
motor not included**

Functions

Controls	Buttons	Buttons
Number of speed settings	3 + power function	3 + power function
Power setting with automatic downshift (min.)	6	6
With noise reduction	▪	▪
Recirculation	Optional (monoblock)	
InTouch function for hobs	Optional	Optional
Auto-Stop, automatic switch-off after 3 hours	▪	▪
Run-on timer (min.)	10	10
Cleaning indicator for grease filter	▪	▪
Cleaning indicator for recirculation filter	▪	

Lighting

Type of lighting (number/W)	LED (4×2)	LED (4×2)
Dimmable Lighting	▪	▪
Lighting colour (K)	2,700	2,700

Technical characteristics

Integrated motor	▪	
Motor not included (suitable for wall motor, flat roof motor outside)		▪
Weight cooker hood / motor casing (kg)	36	33 + motor
Mains voltage (V) / Electrical connection value (W)	230 / 118	230 / 13 + motor

Dimensions (mm)

Dimensions (B×D)	900×600	900×600
Height of the cooker hood (Hmin–Hmax) (mm)	563–730	563–730
Height of the cooker hood with recirculation (Hmin–Hmax) (mm)	679–860	
Maximum height with chimney extension Optional A/B	1040 / 1350	1040 / 1350
Maximum height with chimney extension for recirculation Optional A/B	1170 / 1480	
Exhaust opening diameter (mm)	150	150
Exhaust position	Top	Top
Recommended installation height with an induction cooker (Hmin–Hmax) (mm)	650–850	650–850
Recommended installation height with an electric or ceramic cooker (Hmin–Hmax) (mm)	600–850	600–850
Recommended installation height with a gas cooker (Hmin–Hmax) (mm)	650–850	650–850



**Flat'line island 100 cm
7650 stainless steel**



**Flat'line island 100 cm
7655 stainless steel
motor not included**



**Flat'line island 120 cm
7660 stainless steel**



**Flat'line island 120 cm
7665 stainless steel
motor not included**

Buttons	Buttons	Buttons	Buttons
3 + power function	3 + power function	3 + power function	3 + power function
6	6	6	6
▪	▪	▪	▪
Optional (monoblock)		Optional (monoblock)	
Optional	Optional	Optional	Optional
▪	▪	▪	▪
10	10	10	10
▪	▪	▪	▪
▪		▪	
LED (4×2)	LED (4×2)	LED (4×2)	LED (4×2)
▪	▪	▪	▪
2,700	2,700	2,700	2,700
▪		▪	
38	35 + motor	42	39 + motor
230 / 308	230 / 13 + motor	230 / 300	230 / 13 + motor
1000×700	1000×700	1200×700	1200×700
563–730	563–730	563–730	563–730
679–860		679–860	
1040 / 1350	1040 / 1350	1040 / 1350	1040 / 1350
1170 / 1480		1170 / 1480	
150	150	150	150
Top	Top	Top	Top
650–850	650–850	650–850	650–850
600–850	600–850	600–850	600–850
650–850	650–850	650–850	650–850



Air quantity and sound level

Type	Maximum free flow rate (m ³ /h)	Air quantity (m ³ /h) / pressure (Pa)				Noise level dB(A) sound pressure (re20μPa) / sound power (re 1 pW)			
		Setting I	Setting II	Setting III	Power setting	Setting I	Setting II	Setting III	Power setting
7640, 7642 Integrated	815	277 / 66	467 / 237	620 / 382	707 / 382	24 / 35	34 / 46	41 / 53	44 / 56
7645 Not included ⁽¹⁾		(1)	(1)	(1)	(1)	(1)	(1)	(1)	(1)
7650 Integrated	1000	216 / 314	296 / 472	451 / 531	743 / 555	32 / 47	35 / 50	41 / 57	50 / 64
7655 Not included ⁽¹⁾		(1)	(1)	(1)	(1)	(1)	(1)	(1)	(1)
7660 Integrated	1000	219 / 324	302 / 470	459 / 496	744 / 511	32 / 47	36 / 51	41 / 57	51 / 65
7665 Not included ⁽¹⁾		(1)	(1)	(1)	(1)	(1)	(1)	(1)	(1)

Noise levels measured in accordance with IEC 60704-2-13 standards, flow rates according to IEC 61591.



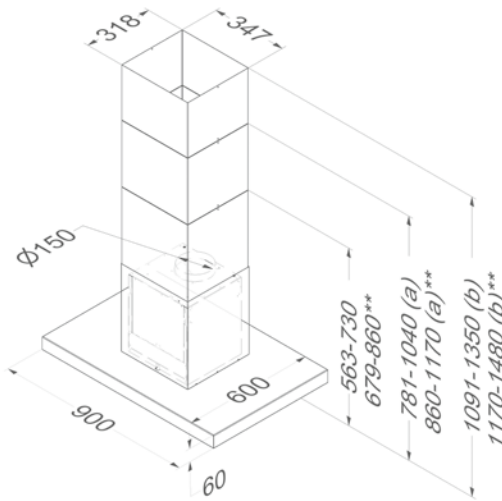
(1) This cooker hood should be connected to a wall motor or roof motor (see accessories). The air volume/noise level depends on the type of motor and installation.



Technical drawings

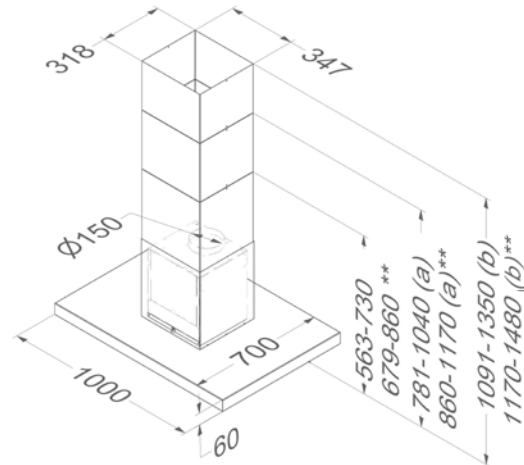
Flat'line island 90 cm

7640 / 7642 / 7645



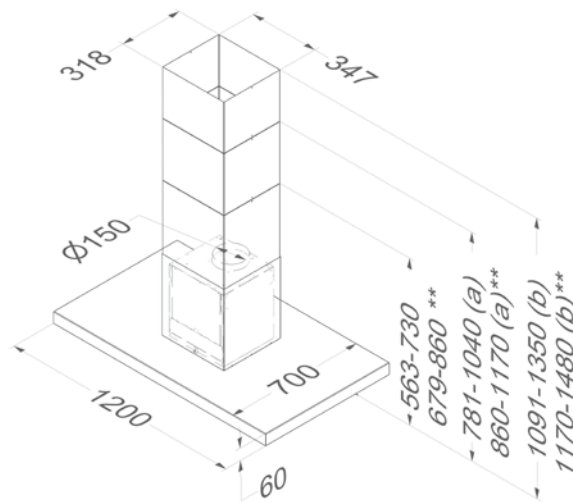
Flat'line island 100 cm

7650 / 7655



Flat'line island 120 cm

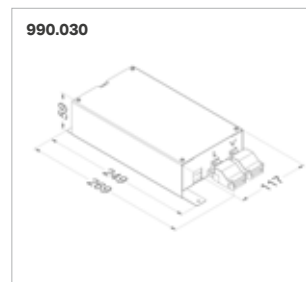
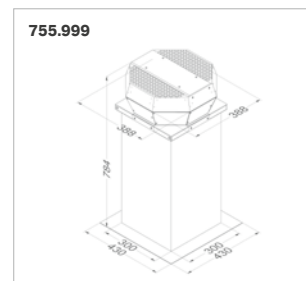
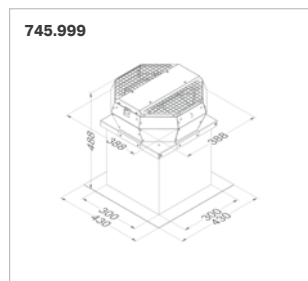
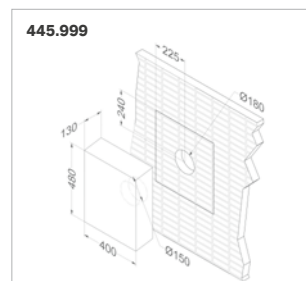
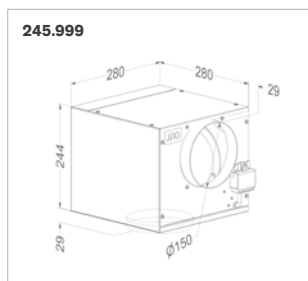
7660 / 7665



(a) With chimney extension - (b) With chimney extension (higher) - **With recirculation

Accessories

	Reference	7640	7642	7645	7650	7655	7660	7665
Motor at a distance								
Remote motor for inside	245.999			•		•		•
Wall motor, minimum 5 m between cooker hood and motor	445.999			•		•		•
Roof motor 48.8 cm height	745.999			•		•		•
Roof motor with noise reduction 78.4 cm height	755.999			•		•		•
Miscellaneous								
Chimney extension stainless steel option A	7640.100	•		•	•	•	•	•
Chimney extension stainless steel option B	7640.101	•		•	•	•	•	•
Chimney extension black option A	7642.100		•					
Chimney extension balck option B	7642.101		•					
Grease filter (replacement)	7400.020	•	•	•	•	•	•	•
Kit with LED lighting (4,000 K)	906.307	•	•	•	•	•	•	•
Kit for remote control (InTouch)	990.026	•	•	•	•	•	•	•
Extension cable for remote motors (5 m)	7000.092			•		•		•
Kit connection with external cover and/or lighting	990.030	•	•	•	•	•	•	•





Accessories

	Reference	7640	7642	7645	7650	7655	7660	7665
Recirculation								
Recirculation kit	7640.400	•	•		•		•	
Monoblock replacement filter	7600.060	•	•		•		•	







Pro'line

- Sleek and sturdy design
- Seamless finish
- Maximum efficiency but extremely quiet
- LED lighting (2,700 K)
- Reversible chimney for recirculation as standard

**InTouch**

Function for controlling the cooker hood from the hob. In option

**Distance**

Maximum distance between cooker hood and hob.

**Recirculation**

Recirculation is optional.



In option



Width (cm)	Motor	Colour	EEI	Flow power function (m ³ /h)	Sound level during normal use in dB(A) (re 1 pW)		Ref.
					Minimum	Maximum	
100	Integrated	Stainless steel	B	826	47	59	7241
120	Integrated	Stainless steel	B	855	47	59	7251

Noise levels measured in accordance with IEC 60704-2-13 standards, flow rates according to IEC 61591.



Technical specifications



Pro'line island 100 cm
7241 stainless steel



Pro'line island 120 cm
7251 stainless steel

Functions

Controls	Buttons	Buttons
Number of speed settings	3 + power function	3 + power function
Power setting with automatic downshift (min.)	6	6
With noise reduction	•	•
Recirculation	Optional (monoblock)	Optional (monoblock)
InTouch function for hobs	Optional	Optional
Auto-Stop, automatic switch-off after 3 hours	•	•
Run-on timer (min.)	10	10
Cleaning indicator for grease filter	•	•
Cleaning indicator for recirculation filter	•	•

Lighting

Type of lighting (number/W)	LED (4×2)	LED (4×2)
Lighting colour (K)	2,700	2,700

Technical characteristics

Integrated motor	•	•
Weight cooker hood / motor casing (kg)	42	48
Mains voltage (V) / Electrical connection value (W)	230 / 265	230 / 272

Dimensions

Dimensions (B×D) (mm)	1000×700	1200×700
Height of the cooker hood (Hmin–Hmax) (mm)	613–913	613–913
Height of the cooker hood with recirculation (Hmin–Hmax) (mm)	729–929	729–929
Maximum height with chimney extension (mm) optional A / B	1213 / 1438	1213 / 1438
Maximum height with chimney extension for recirculation (mm) optional A / B	1229 / 1454	1229 / 1454
Exhaust opening diameter (mm)	150	150
Exhaust position	Top	Top
Recommended installation height with an induction cooker (Hmin–Hmax) (mm)	650–850	650–850
Recommended installation height with an electric or ceramic cooker (Hmin–Hmax) (mm)	600–850	600–850
Recommended installation height with a gas cooker (Hmin–Hmax) (mm)	650–850	650–850



Air quantity and sound level

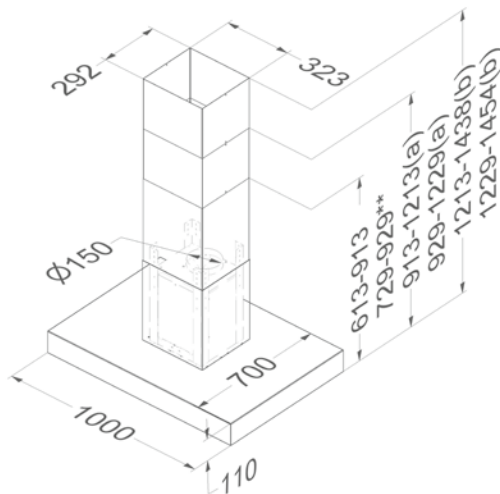
Type	Maximum free flow rate (m ³ /h)	Air quantity (m ³ /h) / pressure (Pa)				Noise level dB(A) sound pressure (re20μPa) / sound power (re 1pW)			
		Setting I	Setting II	Setting III	Power setting	Setting I	Setting II	Setting III	Power setting
7241 Integrated motor	1000	344 / 366	425 / 385	595 / 403	826 / 428	32 / 47	37 / 52	44 / 59	51 / 65
7251 Integrated motor	1000	344 / 364	429 / 382	590 / 401	855 / 421	32 / 47	37 / 52	44 / 59	51 / 65

Noise levels measured in accordance with IEC 60704-2-13 standards, flow rates according to IEC 61591.

Technical drawings

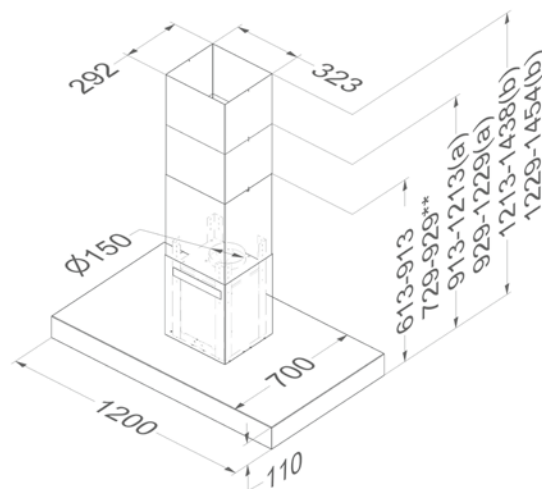
Pro'line island 100 cm

7241



Pro'line island 120 cm

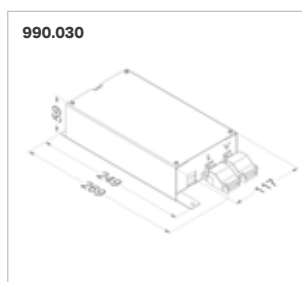
7251





Accessories

	Reference	7241	7251
Miscellaneous			
Chimney extension option A	7450.100	•	•
Chimney extension option B	7450.101	•	•
Grease filter (replacement)	7400.020	•	
Grease filter (replacement)	7400.020 (2×)		•
Kit with LED lighting (4,000 K)	906.307	•	•
Kit for remote control (InTouch)	990.021	•	•
Kit connection with external cover and/or lighting	990.030	•	•
Kit with LED lighting (4,000 K)	906.303	•	•



Accessories

	Reference	7241	7251
Recirculation			
Recirculation kit	7240.400	•	
Recirculation kit	7250.400		•
Monoblock replacement filter	7300.055	•	
Monoblock replacement filter	7300.055 (2x)		•





Cooker hood accessories

Recirculation	p. 196
Motors	p. 198
Maintenance	p. 200
Installation accessories	p. 200

Accessories can be found per product on the relevant product page.



COOKER
HOOD
ACCESSORIES



HOB



INFO

Novy offers a wide range of accessories that make it possible to adapt a cooker hood to your specific situation. In this way it will be a great pleasure to use your cooker hood.

Recirculation

By choosing for recirculation you no longer need to vent warm air to the outside, which saves you energy. In addition, a cooker hood with recirculation offers more freedom with regard to its position in comparison to a cooker hood with an exhaust to the outside. This technology is based on an upgraded monoblock carbon filter that provides an extraordinary level of cooking odour absorption.

Installation methods

Novy built-in box with monoblock filter for ceiling units, downdrafts and canopy

The Novy built-in box with monoblock filter must be built into an existing structure, cabinet or plinth, and is connected to the cooker hood. The odours of the extracted cooking vapours are filtered out by the monoblock filter in the box. It also reduces the noise more. The air is then returned to the kitchen through the exhaust grill of the box. This excellent efficiency is due to the HX design of the box, in which small hexagonal holes ensure a greater air flow. Visually, the smooth surface results in a subtle integration into the plinth.



Basic kits to integrate in ceiling units and canopies

For ceiling units and canopies a kit can be ordered when opting for recirculation. The basic kit consists of a monoblock filter. This is placed directly behind the grease filter. The exhaust grill to let the air back into the kitchen must be provided by you.

Basic kits for wall and island cooker hoods

For wall and island cooker hoods you must order a basic kit when opting for recirculation. This basic kit with monoblock filter is integrated in the chimney of the cooker hood. It also reduces the noise more. The air is then returned to the kitchen through the outlets in the cooker hood chimney.

Cooker hoods with recirculation as standard

Some cooker hoods are equipped with recirculation and a monoblock filter as standard.

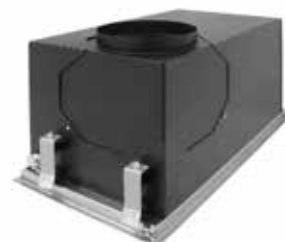
Replaceable carbon filter cartridges

Salsa and Essence cooker hoods use replaceable carbon filter cartridges. In due course the cartridges must be replaced. The kit consists of a cartridge filled with active carbon granules. The exhaust grill must be provided by the customer in the canopy, decorative chimney or cabinet (except in the case of Salsa).

Maintenance

Replacement monoblock filter or active carbon filter cassettes

After 3 to 5 years (depending on the intensity of cooking) the monoblock filter needs to be replaced. All cooker hoods have a cleaning indicator which, in the case of a monoblock filter, lights up after 900 hours of cooking. In the case of cooker hoods with active carbon filter cartridges, the indicator lights up after 120 hours and the cassette must be replaced.



Motors

Remote motors

For models without an integrated motor, you have the option of a remote motor. The choice is between installation indoors and various motors for outside installation. This enables you to install a cooker hood in a suspended ceiling with limited height and create absolute silence in the kitchen. When installing a remote motor the sound level depends on the type of motor and installation. If the Novy cooker hood is installed without a Novy motor (or the motor without a Novy cooker hood) the warranty becomes void.

Kit to install remote motors inside

For the following models the motor can be easily installed remotely inside with an additional installation kit.

Extension cable for remote motors (5 m)

A number of models have the option of a remote motor. The cooker hood contains as standard a connection cable of approx. 4 m (depending on the model). A 5 m extension cable is optionally available if the distance between the cooker hood and the motor is greater.

Technical specifications

Functions

Controls

Number of speed settings

With noise reduction

With insulated flat roof uprising

With insulated flat roof uprising and silencer

With automatic return cover

With insulated switch

Minimum/ maximum operating temperature (°C)

Material

Material flat roof motor : aluminium (ALMG3)

Material flat roof motor : aluminium (ALMG3)

Material non-return valve : galvanised

Technical characteristics

Weight cooker hood / motor casing (kg)

Mains voltage (V) / Electrical connection value (W)

Dimensions

Dimensions motorunit (B×D×H) (mm)

Exhaust opening diameter (mm)

Exhaust position

Diameter inlet (tube) (mm)

Diameter inlet (opening roof) (mm)



Remote motor for installation inside
245.999 Black



Wall motor
445.999 Stainless steel

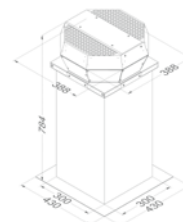
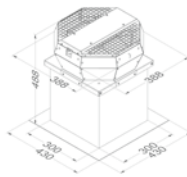
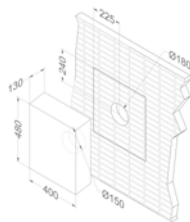
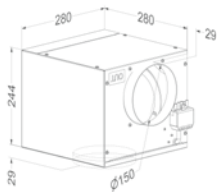


Flat roof motor 48,8 cm
745.999



Flat roof motor 78,4 cm
755.999
With noise reduction

In combination with the cooker hood	In combination with the cooker hood	In combination with the cooker hood	In combination with the cooker hood
3 + power function	3 + power function	3 + power function	3 + power function
▪	▪	▪	▪
		▪	▪
		▪	▪
		-25 / 65	-25 / 65
		▪	▪
		▪	▪
		▪	▪
6	11	10,7	13,9
230 / 250	230 / 184	230 / 191	230 / 191
309×280×244	400×130×500	388×388×488	388×388×784
150	150		
Top / right / left / front / rear	Below	Vertical	Vertical
150	180	150	150
		180	180



Air quantity and sound level

Type	Maximum free flow rate (m ³ /h)	Air quantity (m ³ /h) / pressure (Pa)				Noise level dB(A) sound pressure (re20µPa) / sound power (re 1pW)			
		Setting I	Setting II	Setting III	Power setting	Setting I	Setting II	Setting III	Power setting
245.999	1000	401 / 350	503 / 410	634 / 370	760 / 450	30 / 42	35 / 47	40 / 53	43 / 57
445.999	1400	330 / 380	520 / 450	660 / 520	940 / 660	31 / 43	37 / 49	40 / 52	43 / 56
745.999	1180	855 / 590	975 / 625	1080 / 650	1150 / 670	61	62	63	64
755.999	1180	850 / 590	970 / 625	1075 / 650	1145 / 670	55	56	57	58

Sound level of roof motors measured on the suction side Lwa5 (dB(A)) (DIN 45635-2).

Maintenance

Grease filters

To ensure optimum filtering of grease it is necessary to regularly (1x per month) clean the grease filter. The integrated cleaning indicator in almost all cooker hoods is a reminder and illuminates after 20 cooking hours. The grease filter can be cleaned in the dishwasher. However, we recommend replacing the filter after 5 years. To find the correct grease filter for your cooker hood please consult the technical table at the end.

Stainless steel cleaner

For optimum cleaning of your stainless steel cooker hood we recommend you use Novy stainless steel cleaner. This is a soft nourishing mousse that leaves no traces leaving a clean surface.

Installation accessories

Remote control

Almost all models with electronic controls have the option of a remote control.

InTouch offers the option to control your Novy cooker hood on your Novy induction hob.

Maxi Pure'line, Pure'line, Mini Pure'line, Zen, Mood and Cloud have a remote control and InTouch function as standard.

LED lighting kit

For a number of models you can replace the existing LED lighting of 2,700 K (warm white) by LED lighting of 4,000 K (neutral white).

Pure'line, Mini Pure'line and Zen are equipped with dual LED lighting for which the colour temperature can be changed manually, before installation, from 2,700 K (warm white) to 4,000 K (neutral white).

Control kit for external lighting or remote covers

Would you like to connect additional atmospheric lighting to your cooker hood? Or do you need to control a remote cover the moment the cooker hood is switched on? With this kit you can control both.

Maxi Pure'line, Pure'line: 6833, 6834, 6838, 6839, 6843, 6844, 6848, 6849 are equipped as standard with a connector which makes it possible to switch on external lighting (max. 300 W).

Extension chimneys for wall and island hoods

If the standard lower chimney is too short, you can always opt for a extension chimney. When ordering an extension the lower chimney is included to avoid colour differences.

Back panels for wall hoods

With Novy back panels you can give the wall under your decorative wall hood a beautiful finish in stainless steel.

Adapter for limited installation height in ceiling, canopy, decorative chimney or cabinet

If you have limited space in the ceiling, canopy, decorative chimney or cabinet to install a cooker hood, an adapter can limit the installation height by making the transition to a flat duct.

Installation accessories

The proper functioning of a cooker hood is partly determined by the correct installation of the device and it is important that you take this into consideration at an early stage of the construction process. Novy offers a wide range of installation accessories for your specific situation.

Flat exhaust ducts

These ducts are very suitable for ceilings with a small overall height.

906.401
Flat duct 1000 mm
89×222×1000 mm



906.405
Angle adaptor
Ø 150 mm with
air deflectors
94×227×205 mm



906.402
Connector
94×227×80 mm



906.406
Transfer
Ø 150 mm
94×227×150 mm



906.403
Horizontal bend 90°
with air deflectors
94×227×290 mm



906.407
Wall duct stainless steel
with non-return valve
222×89 mm
depth connector
120 mm



906.408
Flat flexible tube
89×222×750 mm



906.418
Bend 15° for flat duct
94×227×138 mm



906.404
Vertical bend 90° with
air deflectors
94×175×227 mm



Round ducting & accessories

Round tube 1 m
906.410
 Ø 125 mm
906.415
 Ø 150 mm



Bend 90° (with air deflectors for a better result)
906.411
 Ø 125 mm
906.416
 Ø 150 mm



Connector
906.412
 Ø 125 mm
906.417
 Ø 150 mm



Aluminium tube
906.216
 Ø 127 mm, length 10 m
906.218
 Ø 152 mm, length 10 m



Aluminium tube
906.217
 Ø 127 mm, length 3 m
906.219
 Ø 152 mm, length 3 m
906.430
 Ø 202 mm, length 3 m



Flexible silencer
906.288
 Ø 127 mm, length 1 m
906.287
 Ø 152 mm, length 1 m



Y-piece
906.299
 2×Ø 125 mm – Ø 150 mm
906.298
 2×Ø 150 mm – Ø 200 mm
906.297
 elbow Ø 125 mm / stuk



Clamp
906.290
 range Ø 60 – 135 mm
906.291
 range Ø 60 – 215 mm
906.292
 aluminium tape width 50 mm
 (per 50 m)



Installation kit (non-return valve, 3 m aluminium tape, 3 m aluminium tube 906.217 or 906.219)
906.300
 Ø 125 mm
906.301
 Ø 150 mm



Non-return valves

The use of a non-return valve is advised to prevent cold air flows coming in from outside.

Non-return valve
906.431
 mechanical non-return valve,
 Ø 125 mm
906.432
 mechanical non-return valve,
 Ø 150 mm



Electric valve
906.270
 electric valve Ø125 mm, 230V,
 N/C with spring return, to combine
 with kit 990.030
906.271
 electric valve Ø150 mm, 230V,
 N/C with spring return, to combine
 with kit 990.030



Wall exhaust valve

This valve covers the exhaust duct. It keeps cold air out, but also other weather and natural influences, so that the exhaust does not get blocked.

Wall exhaust valve aluminium
906.078
 173×173 mm,
 for exhaust Ø 125 mm
906.178
 210×210 mm,
 for exhaust Ø 150 mm
906.079
 246×246 mm,
 for exhaust Ø 200 mm



Wall conduct kit for

Wall conduct kit with telescopic pipe including built-in heat retention non-return valve and stainless steel grill for ground-level and conventional installation at ceiling height.



Wall conduct kit for ducting
906.420
 Ø 150 mm
 Wall conduct kit for flat exhaust duct
906.425
 89×222 mm





Hobs

Induction Pro

Induction Power

Induction Comfort



Cooking profile

Intensity



Number of cooking zones

1

2

3

4

5



Flexzone / Expandable zone

1

2



Dimensions cooking zones (W)

Dimensions

200×240 / Ø280

200×240 / Ø230 / Ø280

Ø175 / Ø210 / Ø260

p. 208

p. 212

p. 216

Normal use, basic cooking function, different zones with different power

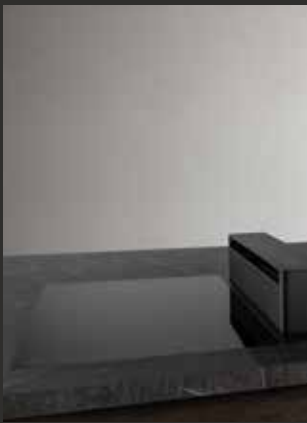
Normal use, extensive cooking functions, different zones with high power

Intensive use, extensive cooking function, equal zones with high power

Induction Domino

Induction Multizone

Gas Pro



	☺ / ☺☺	☺	☺ / ☺☺
	▪		▪
	▪		▪
		▪	▪
		▪	▪
			▪
	▪		
	200×240 / Ø175 / Ø210	Ø175 / Ø210	Ø230 / Ø270

p. 220

p. 224

p. 228

NOVY HOBS

Control at your fingertips

You can cook intuitively. The cooker hood can also be controlled from the hob. InTouch technology combines cooker hood and induction hob into one, without the need for remote control. Wireless, and seamless.

- InTouch connection with cooker hood
- Flexible cooking zones
- Automatic pot detection
- Maintenance notification for grease- and carbon filters



Installation method

Have your induction hob placed on top of the worktop (surface-mounted) or opt for recessed integration (surface-mounted) and go completely seamless.

Intuitive operation

All our hobs can be operated intuitively. Thanks to the slider and touch control function, every temperature change is at your fingertips.

Minimalist design

A sleek design stripped of all frills - you'll recognise this in every Novy hob. Even the controls remain in the background and only light up when you start cooking.



Convenient flex zones

Connect two cooking zones into one large cooking zone. Convenient if you have large pots and pans on the hob, or if you want to grill like on the barbecue.



Pot move function

Move your pot or pan to a new zone without losing the programming of the current zone.



Pro with the Chef

The Chef function links flex zones together, but maintains the right temperature. Choose between quick power cooking, keeping on the boil and keeping warm.



InTouch technology

Operate your cooker hood from your hob with wireless RF communication.





NAVY

4 5 6 7 8 9 0
1 2 3 4 5 6 7 8 9 0
1 2 3 4 5 6 7 8 9 0
1 2 3 4 5 6 7 8 9 0

Induction Pro

- Even more flexibility and cooking surface through the use of octagonal zones
- Professional cooking programs, such as Chef function, Pot Move and Grill function for even more functionality
- White slider touch control operation
- Maximum power of 3,700 W for the octagonal zones and 5,000 W for the round zone
- Surface and flush installation possible



InTouch
Function for controlling the cooker hood from the hob.



Chef function
Chef function for activation of programmed zones.



Flex zones
Automatic or manual linking of 2 cooking zones.



Keep-warm function
Keep-warm function to keep food at a constant temperature.



Outside dimensions (L×W) (cm)	Opening (L×B) (cm)	Number of zones	Cooking zones (mm)	InTouch	Max. output (W)	Ref.
65×52	56×49	4	4× 240×200	▪	7400	1773
80×52	75×49	4	4× 240×200	▪	7400	1775
80×52	75×49	5	4× 240×200, 200×300	▪	11100	1776
91×41	89×39	4	4× 200×240	▪	7400	1777
90×52	85×49	5	4× 240×200, Ø280	▪	11100	1778

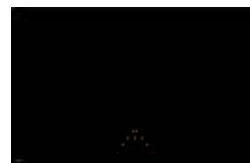
Technical specifications



**Induction Pro
1773**



**Induction Pro
1775**



**Induction Pro
1776**

Controls

Type of controls	Slider touch control	Slider touch control	Slider touch control
Colour or controls	White	White	White

Glass built-in / Finish

Finish	Round border	Round border	Round border
Surface / Flush	• / •	• / •	• / •
Black opaque glass	•	•	•

Functions cooker hood

InTouch function	•	•	•
Number of power levels	9+Power + SuperPower	9+Power + SuperPower	9+Power + SuperPower
Chef function	•	•	•
Pot move function	•	•	•
Count-up timer	•	•	•
Cooking presets	•	•	•
Wipe guard	•	•	•
Automatic pot detection	•	•	•
Flex zones	• (x2)	• (x2)	• (x2)
Automatic bridge function flexzones	•	•	•
Residual heat indication	•	•	•
Timer on each zone	•	•	•
Independent cooking timer	•	•	•
Keep-warm function	42°, 70° and 94°	42°, 70° and 94°	42°, 70° and 94°
Grill function	• (x2)	• (x2)	• (x2)
Safety lock hob	•	•	•
Stop & Go	•	•	•
Automatic cooking	•	•	•

Cooking zones

Number of cooking zones	4	4	5
Cooking zone 1	Front left	Front left	Front left
Dimensions (mm) / Power (Boost) (W)	240×200 / 2100 (3700)	240×200 / 2100 (3700)	240×200 / 2100 (3700)
Cooking zone 2	Rear left	Rear left	Rear left
Dimensions (mm) / Power (Boost) (W)	240×200 / 2100 (3700)	240×200 / 2100 (3700)	240×200 / 2100 (3700)
Cooking zone 3	Right front	Right front	Central
Dimensions (mm) / Power (Boost) (W)	240×200 / 2100 (3700)	240×200 / 2100 (3700)	200×300 / 2100 (3700)
Cooking zone 4	Back right	Back right	Right front
Dimensions (mm) / Power (Boost) (W)	240×200 / 2100 (3700)	240×200 / 2100 (3700)	240×200 / 2100 (3700)
Cooking zone 5			Back right
Dimensions (mm) / Power (Boost) (W)			240×200 / 2100 (3700)



Dimensions (Installation details see p. 234-235)

Dimensions (W×D×H) (mm)	650×520×47	800×520×47	800×520×47
Opening (B×D) (mm)	560×490	750×490	750×490
Weight (kg)	11.5	13.5	14.2

Technical details

Total connected load (W)	7400	7400	11100
Voltage (V)	230 V – 1P+N/2P/3P 400 V – 2P+N	230 V – 1P+N/2P/3P 400 V – 2P+N	230 V – 1P+N/2P/3P 400 V – 2P/3P+N
Frequency (Hz)	50 – 60	50 – 60	50 – 60

Accessories

Side profiles 1700.092	•	•	•
Grill plate 1700.093	•	•	•



**Induction Pro
1777**

**Induction Pro
1778**

Slider touch control White	Slider touch control White
Round border ▪ / ▪ ▪	Round border ▪ / ▪ ▪
▪	▪
9+Power + SuperPower ▪ ▪ ▪ ▪ ▪ ▪ ▪ (x2) ▪ ▪ ▪ ▪	9+Power + SuperPower ▪ ▪ ▪ ▪ ▪ ▪ ▪ (x2) ▪ ▪ ▪ ▪
42°, 70° and 94° ▪ (x2) ▪ ▪ ▪	42°, 70° and 94° ▪ (x2) ▪ ▪ ▪
4 Left 200×240 / 2100 (3700) Left central 200×240 / 2100 (3700) Right central 200×240 / 2100 (3700) Right 200×240 / 2100 (3700)	5 Front left 240×200 / 2100 (3700) Rear left 240×200 / 2100 (3700) Central 280 / 2600 (5500) Right front 240×200 / 2100 (3700) Back right 240×200 / 2100 (3700)
910×410×47 890×390 14.8	900×520×47 850×490 16.7
7400 230 V - 1P+N/2P/3P 400 V - 2P+N 50 - 60	11100 230 V - 1P+N/2P/3P 400 V - 2P/3P+N 50 - 60
▪	▪





Induction Power

- Great flexibility due to the combination of octagonal and round zones
- Extensive cooking programs for refined cooking, such as the Chef function
- Red slider touch control operation
- Maximum power of 3,700 W per zone
- Surface and flush installation possible



InTouch
Function for controlling the cooker hood from the hob.



Flex zones
Automatic or manual linking of 2 cooking zones.



Keep-warm function
Keep-warm function to keep food at a constant temperature.



Chef function
Chef function for activation of programmed zones (only for 1768).



Outside dimensions (L×W) (cm)	Opening (L×B) (cm)	Number of zones	Cooking zones (mm)	InTouch	Max. output (W)	Ref.
80×52	75×49	4	2× 240×200, Ø230, Ø280		7400	1724
80×52	75×49	4	2× 240×200, Ø230, Ø280	▪	7400	1726
65×52	56×49	4	2× 240×200, 2× Ø210	▪	7400	1763
100×40	98×38	4	2× 200×240, 2× Ø230	▪	7400	1767
90×52	85×49	5	2× 240×200, Ø280, 2× Ø200	▪	11100	 1768

Technical specifications



**Induction Power
1724**



**Induction Power
1726**

Controls

Type of controls	Slider touch control	Slider touch control
Colour of controls	Red	Red

Glass built-in / Finish

Finish	Round border	Round border
Surface / Flush	• / •	• / •
Black opaque glass	•	•

Functions

InTouch function		•
Number of power levels	9 + Power + SuperPower	9 + Power + SuperPower
Chef function		
Count-up timer	•	•
Automatic pot detection	•	•
Flex zones	• (×1)	• (×1)
Automatic bridge function flexzones	•	•
Residual heat indication	•	•
Timer on each zone	•	•
Independent cooking timer	•	•
Keep-warm function	42°, 70° and 94°	42°, 70° and 94°
Safety lock hob	•	•
Stop & Go	•	•
Automatic cooking	•	•

Cooking zones

Number of cooking zones	4	4
Cooking zone 1	Front left	Front left
Dimensions (mm) / Power (Boost) (W)	240×200 / 2100 (3700)	240×200 / 2100 (3700)
Cooking zone 2	Rear left	Rear left
Dimensions (mm) / Power (Boost) (W)	240×200 / 2100 (3700)	240×200 / 2100 (3700)
Cooking zone 3	Right front	Right front
Dimensions (mm) / Power (Boost) (W)	230 / 2100 (3700)	230 / 2100 (3700)
Cooking zone 4	Back right	Back right
Dimensions (mm) / Power (Boost) (W)	280 / 2100 (3700)	280 / 2100 (3700)
Cooking zone 5		
Dimensions (mm) / Power (Boost) (W)		



Dimensions (Installation details p. 234-235)

Dimensions (W×D×H) (mm)	800×520×47	800×520×47
Opening (B×D) (mm)	750×490	750×490
Weight (kg)	13.4	13.4

Technical details

Total connected load (W)	7400	7400
Voltage (V)	230 V – 1P+N/2P/3P 400 V – 2P+N	230 V – 1P+N/2P/3P 400 V – 2P
Frequency (Hz)	50 – 60	50 – 60

Accessories

Side profiles 1700.092	•	•
-------------------------------	---	---



**Induction Power
1763**



**Induction Power
1767**



**Induction Power
1768**

Slider touch control	Slider touch control	Slider touch control
Red	Red	Red
Round border	Round border	Round border
• / •	• / •	• / •
•	•	•
•	•	•
9 + Power + SuperPower	9 + Power + SuperPower	9 + Power + SuperPower
•	•	•
•	•	•
• (x1)	• (x1)	• (x1)
•	•	•
•	•	•
•	•	•
42°, 70° and 94°	42°, 70° and 94°	42°, 70° and 94°
•	•	•
•	•	•
•	•	•
4	4	5
Front left	Front left	Front left
240×200 / 2100 (3700)	200×240 / 2100 (3700)	240×200 / 2100 (3700)
Rear left	Left central	Rear left
240×200 / 2100 (3700)	200×240 / 2100 (3700)	240×200 / 2100 (3700)
Right front	Right central	Central
210 / 1850 (3000)	230 / 2100 (3700)	280 / 2100 (3700)
Back right	Back right	Right front
210 / 1850 (3000)	230 / 2100 (3700)	200 / 1850 (3000)
		Back right
		200 / 1850 (3000)
650×520×47	1000×400×47	900×520×47
560×490	980×380	850×490
11.1	14.8	15.7
7400	7400	11100
230 V - 1P+N/2P/3P	230 V - 1P+N/2P/3P	230 V - 1P+N/2P/3P
400 V - 2P+N	400 V - 2P+N	400 V - 2P/3P+N
50 - 60	50 - 60	50 - 60



Induction Comfort

- Round zones with different capacities and various sizes
- Red slider touch control operation
- Default cooking programs for easy use
- Surface and flush installation possible



InTouch
Function for controlling the cooker hood from the hob.

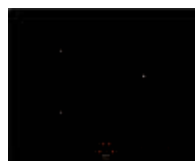


Keep-warm function
Keep-warm function to keep food at a constant temperature.

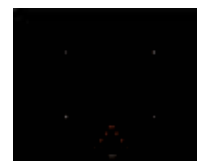


Outside dimensions (L×W) (cm)	Opening (L×B) (cm)	Number of zones	Cooking zones (mm)	InTouch	Max. output (W)	Ref.
65×52	56×49	3	2× Ø200, Ø290	▪	6400	1752
65×52	56×49	4	2× Ø175, 2× Ø210		7400	1753
80×52	75×49	4	2× Ø175, 2× Ø210		7400	1754
80×52	75×49	4	2× Ø175, 2× Ø210	▪	7400	1755
80×37	76×34	3	Ø175, 2× Ø210	▪	6700	1757
90×52	85×49	5	3× Ø175, Ø210, Ø250	▪	7400	1758

Technical specifications



**Induction Comfort
1752**



**Induction Comfort
1753**

Controls

Type of controls	Touch control	Slider touch control
Colour of controls	Red	Red

Glass built-in / Finish

Finish	Round border	Round border
Surface / Flush	* / *	* / *
Black opaque glass	•	•

Functions cooker hood

InTouch function	•	
Number of power levels	9 + Power	9 + Power
Residual heat indication	•	•
Timer on each zone	•	•
Independent cooking timer	•	•
Keep-warm function		70°
Safety lock hob	•	•
Stop & Go		•
Automatic boiling function		•

Cooking zones

Number of cooking zones	3	4
Cooking zone 1	Front left	Front left
Dimensions (mm) / Power (Boost) (W)	200 / 2300 (3000)	210 / 2300 (3000)
Cooking zone 2	Rear left	Rear left
Dimensions (mm) / Power (Boost) (W)	200 / 1100 (1400)	175 / 1100 (1400)
Cooking zone 3	Right	Right front
Dimensions (mm) / Power (Boost) (W)	290 / 2300 (3000)	175 / 1100 (1400)
Cooking zone 4		Back right
Dimensions (mm) / Power (Boost) (W)		210 / 2300 (3000)
Cooking zone 5		
Dimensions (mm) / Power (Boost) (W)		



Dimensions (Installation details p. 234-235)

Dimensions (W×D×H) (mm)	650×520×52	650×520×52
Opening (B×D) (mm)	560×490	560×490
Weight (kg)	10.1	11

Technical details

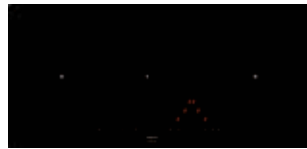
Total connected load (W)	6400	7400
Voltage (V)	230 V – 1P+N/2P/3P 400 V – 2P+N	230 V – 1P+N/2P/3P 400 V – 2P+N
Frequency (Hz)	50 – 60	50 – 60

Accessories

Side profiles 1700.092	•	•
-------------------------------	---	---



**Induction Comfort
1754 / 1755**



**Induction Comfort
1757**



**Induction Comfort
1758**

Slider touch control	Slider touch control	Slider touch control
Red	Red	Red
Round border	Round border	Round border
▪ / ▪	▪ / ▪	▪ / ▪
▪	▪	▪
▪ (only for 1755)	▪	▪
9 + Power	9 + Power	9 + Power
▪	▪	▪
▪	▪	▪
▪	▪	▪
70°	70°	70°
▪	▪	▪
▪	▪	▪
▪	▪	▪
4	3	5
Front left	Left	Front left
210 / 2300 (3000)	210 / 2300 (3000)	175 / 1100 (1400)
Rear left	Central	Rear left
175 / 1100 (1400)	175 / 1100 (1400)	175 / 1100 (1400)
Right front	Right	Central
175 / 1100 (1400)	210 / 2300 (3000)	250 / 2300 (3000)
Back right		Right front
210 / 2300 (3000)		175 / 1100 (1400)
		Back right
		210 / 2300 (3000)
800×520×52	800×370×52	900×520×52
750×490	760×340	850×490
12.6	10.9	16.8
7400	6700	7400
230 V - 1P+N/2P/3P	230 V - 1P+N/2P/3P	230 V - 1P+N/2P/3P
400 V - 2P+N	400 V - 2P+N	400 V - 2P/3P+N
50 - 60	50 - 60	50 - 60



NDVY

Induction Domino's

- Create your own ideal setting
- Red slider or touch operation depending on the type of domino
- Rounded edge
- Surface and flush installation possible



Type	Outside dimensions (L×W) (cm)	Number of zones	Cooking zones (mm)	Max. output (W)	Ref.
Induction 38 cm					
Induction Comfort	38×52	2	Ø175, Ø210	3700	3784
Induction Power	38×52	2	2× 240×200	3700	3774
Induction Pro	38×52	2	2× 240×200	3700	3762
Teppan yaki	38×52	2		2800	3753
Wok ⁽¹⁾	38×52	1		3200	3772
Induction 58 cm					
Teppan yaki	58×52	4		5600	3754
Fryer					
Fryer	23,2×50			2000	3710

(1) Demeyere wok Ø36 cm standaard meegeleverd.

Technical specifications



**Inductie 38 cm
Teppan Yaki
3753**



**Inductie 58 cm
Teppan Yaki
3754**



**Inductie 38 cm
Pro
3762**

Controls

Type of controls	Slider touch control	Slider touch control	Slider touch control
Colour or controls	Red	Red	Red

Glass built-in / Finish

Finish	Round border	Round border	Round border
Surface / Flush	• / •	• / •	• / •
Black opaque glass			•

Functions

Residual heat indication	•	•	•
Flex zones	• (x1)	• (x2)	• (x1)
Manual bridge function flexzones	•	•	•
Timer on each zone	•	•	•
Independent cooking timer	•	•	•
Keep-warm function	120°, 150° and 180°	120°, 150° and 180°	42°, 70° and 94°
Safety lock hob	•	•	•
Stop & Go	•	•	•
Automatic boiling function			•

Cooking zones

Number of cooking zones	2	4	2
Cooking zone 1	Voor	Front left	Front
Dimensions (mm) / Power (Boost) (W)	1400	1400	240×200 / 2100 (3700)
Cooking zone 2	Achter	Rear left	Back
Dimensions (mm) / Power (Boost) (W)	1400	1400	240×200 / 2100 (3700)
Cooking zone 3		Front right	
Dimensions (mm) / Power (Boost) (W)		1400	
Cooking zone 4		Back right	
Dimensions (mm) / Power (Boost) (W)		1400	

Dimensions (Installation details p. 234-235)

Dimensions (W×D×H) (mm)	380×520×54	580×520×54	380×520×47
Opening (B×D) (mm)	370×490	560×490	350×490
Weight (kg)	10,4	12,6	7

Technical details

Total connected load (W)	2800	5600	3700
Voltage (V)	230 V – 1P+N/2P	230 V – 1P+N/2P 400 V – 2P+N	230 V – 1P+N/2P
Frequency (Hz)	50 – 60	50 – 60	50 – 60
Connection cable	•	•	•

Accessories

Demeyere Wok (included)			
Profile Domino's 3730.020	•	•	•



**Inductie 38 cm
Wok
3772**



**Inductie 38 cm
Power
3774**



**Inductie 38 cm
Comfort
3784**



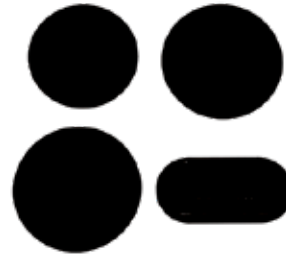
**Fryer
3710**

Slider touch bediening Red	Touch control Red	Touch control Red	Rotating button
Round border ▪ / ▪ ▪	Round border ▪ / ▪ ▪	Round border ▪ / ▪ ▪	Round border
▪	▪	▪	
	▪ (x1) ▪		
▪	▪	▪	
▪	▪	▪	
42°, 70° and 94°	▪	▪	
▪			
1 Front 360 (wok) / 2000 (3200)	2 Front 240×200 / 1600 (1850) Back 240×200 / 2100 (3000)	2 Front 175 / 1100 (1400) Back 210 / 2300 (3000)	
380×520×121 370×490 11,6	380×520×52 350×490 11,6	380×520×52 350×490 7	292×502×235 270×475
3200 230 V – 1P+N/2P 50 – 60 ▪	3700 230 V – 1P+N /2P 50 – 60 ▪	3700 230 V – 1P+N/2P 50 – 60 ▪	2000 230 V – 1P+N/2P 50 – 60 ▪
▪	▪	▪	
▪	▪	▪	



Induction Multizone

- 3 or 4 loose cooking zones with a separate control zone to freely design into the worktop
- Extensive cooking functions
- Rounded borders
- Surface or flush mounting is possible
- Maximum power of 1,770 W for zones of 175 mm
- Maximum power of 3,100 W for zones of 210 mm



InTouch

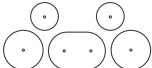
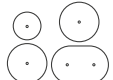
Function for controlling the cooker hood from the hob.



Keep-warm function

Keep-warm function to keep food at a constant temperature.



Number of zones	Cooking zones (mm)	InTouch	Max. output (W)	Ref.
4 	2 × Ø175, 2 × Ø210	•	7400	1790
3 	Ø175, 2 × Ø210	•	6800	1791

Technical specifications



**Induction Multizone
1790**



**Induction Multizone
1791**

Controls

Type of controls	Slider touch control	Slider touch control
Colour of controls	Red	Red

Glass built-in / Finish

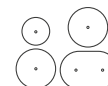
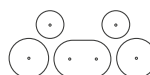
Finish	Round border	Round border
Surface / Flush	• / •	• / •
Black opaque glass	•	•

Uitrustig

InTouch functie	•	•
Residual heat indication	•	•
Timer on each zone	•	•
Independent cooking timer	•	•
Keep-warm function	70°	70°
Safety lock hob	•	•
Stop & Go	•	•

Cooking zones

Number of cooking zones	4, zones to be positioned as required	3, zones to be positioned as required
Cooking zone 1	Left	Front left
Dimensions (mm) / Power (Boost) (W)	210 / 2300 (3100)	210 / 2300 (3100)
Cooking zone 2	Left central	Rear left
Dimensions (mm) / Power (Boost) (W)	175 / 1100 (1770)	175 / 1100 (1770)
Cooking zone 3	Right central	Back right
Dimensions (mm) / Power (Boost) (W)	175 / 1100 (1770)	210 / 2300 (3100)
Cooking zone 4	Right	
Dimensions (mm) / Power (Boost) (W)	210 / 2300 (3100)	



Dimensions

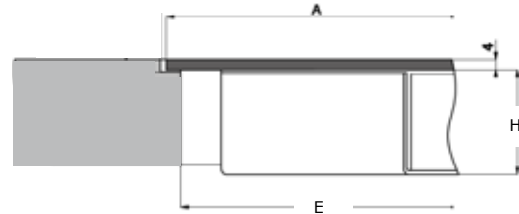
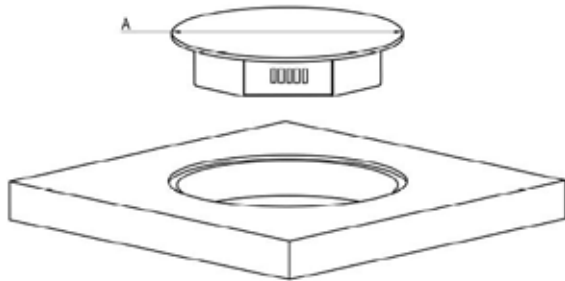
Dimensions (W×D×H) (mm)	see p. 227	see p. 227
Opening (B×D) (mm)	see p. 227	see p. 227
Weight (kg)	14.5	12.4

Technical details

Total connected load (W)	7400	6800
Voltage (V)	230 V – 1P+N/2P/3P 400 V – 2P+N	230 V – 1P+N/2P/3P 400 V – 2P+N
Frequency (Hz)	50 – 60	50 – 60

Technical drawing

Dimensions

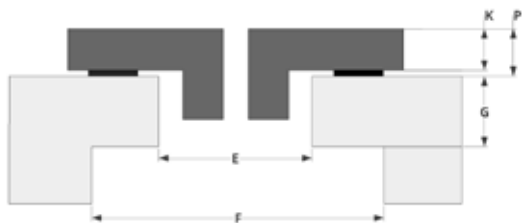


Diam A	300 mm	Cooking zone 210 mm
Diam A	270 mm	Cooking zone 175 mm

(mm)	A	E	H
Cooking zone 175	Ø 270	Ø 254	57
Cooking zone 210	Ø 300	Ø 284	57
Control panel	326×160- R80	314×150- R75	35

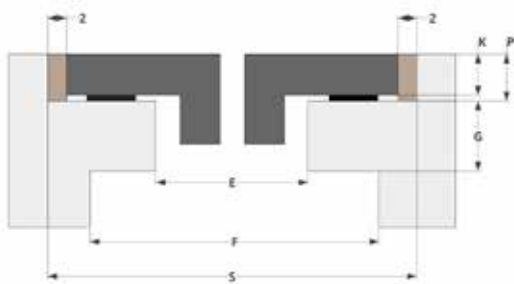
Built-in sketch

Surface



(mm)	E	F	G	K	P
Cooking zone 175	Ø 254	Ø 265	max 20	4	6
Cooking zone 210	Ø 284	Ø 295	max 20	4	6
Control panel	314×150- R75			4	6

Flush



(mm)	E	F	G	K	P	S
Cooking zone 175	Ø 254	Ø 265	max 20	4	6	Ø 274
Cooking zone 210	Ø 284	Ø 295	max 20	4	6	Ø 304
Control panel	314×150- R75			4	6	330×164- R82



Gas Pro

- Gas burners are directly integrated in your worktop
- Robust, cast iron pot carriers in stylish and timeless look
- Visual control of the flame
- Sufficient space between the burners for large pots and pans
- Choice of various cooking setups



Model	Width (cm)	Number of zones	Max output (W)	Ref.
Altar Top black	30	1	3.000	56 002
Azuma Top black	30	1	5.000	56 004
Capital Top black	60	3	2.000, 3.000, 5.000	56 006
Cusin Top black	90	3	3.000, 2× 5.000	56 008
Dempo Top black	90	3	2.000, 3.000, 2× 5.000	56 010
Danau Top black	120	4	2.000, 3.000, 2× 5.000	56 012
Drum Top black	120	4	2.000, 3.000, 2× 5.000	56 014
Elbrus Top black	90	5	2× 2.000, 2× 3.000, 5.000	56 016

Technische specificaties



Aitar top
56 002 / black



Azuma Top
56 004 / black



Capital Top
56 006 / black



Cusin Top
56 008 / black

Controls

Type of controls	Rotating button	Rotating button	Rotating button	Rotating button
------------------	-----------------	-----------------	-----------------	-----------------

Glass built-in / Finish

Built-in
Cast iron pan support
Colour	Black	Black	Black	Black

Functions

Automatic spark ignition
Flame protection

Cooking zones

Number of cooking zones	1	1	3	3
Cooking zone 1	Central	Central	Front left	Left
Power (W)	3000	5000	3000	5000
Cooking zone 2			Back left	Central
Power (W)			2000	3000
Cooking zone 3			Right	Right
Power (W)			5000	5000
Cooking zone 4				
Power (W)				
Cooking zone 5				
Power (W)				

Dimensions

Dimensions (W×D×H) (mm)	213×503×89	213×503×89	533×503×89	853×403×89
Opening (B×D) (mm)	Check technical file	Check technical file	Check technical file	Check technical file
Weight (kg)	5,5	7,5	18,5	20,5

Technical details

Total connected load	3000	5000	9800	13000
Voltage	230 V – 1P+N	230 V – 1P+N	230 V – 1P+N	230 V – 1P+N
Frequency	50	50	50	50
Connection cable

Accessories

Support bar / 56 199 (1 set included as standard)
Wok ring / 93 005 (1 included as standard)



Dempo Top
56 010 / black

Rotating button



Danau Top
56 012 / black

Rotating button



Drum Top
56 014 / black

Rotating button



Elbrus Top
56 016 / black

Rotating button

.	.	.	.
.	.	.	.
Black	Black	Black	Black
.	.	.	.
.	.	.	.
4	4	4	5
Left	Left	Left	Front left
5000	5000	5000	3000
Central for	Center left	Center left	Back left
3000	3000	3000	2000
Center back	Center right	Center right	Central
2000	2000	2000	5000
Right	Right	Right	Front right
5000	5000	5000	3000
			Back right
			2000
853×503×89	1157×403×89	1157×503×89	853×503×89
Check technical file	Check technical file	Check technical file	Check technical file
25,5	25,5	25,5	29,5
14800	14800	14800	14600
230 V - 1P+N	230 V - 1P+N	230 V - 1P+N	230 V - 1P+N
50	50	50	50
.	.	.	.
.	.	.	.
.	.	.	.

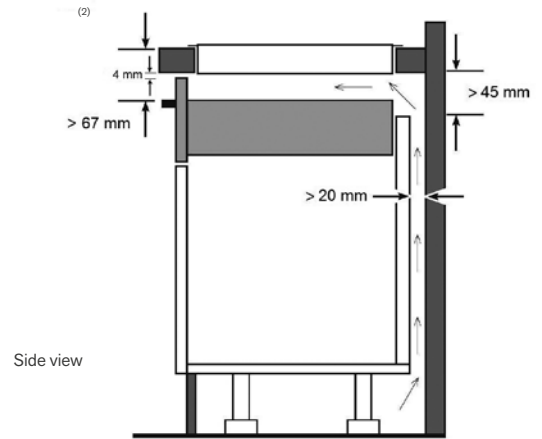
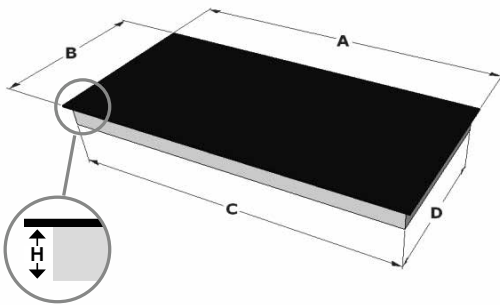




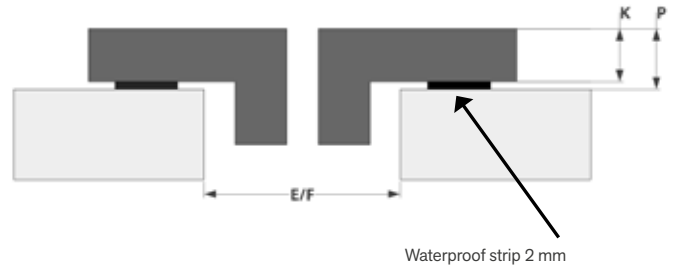
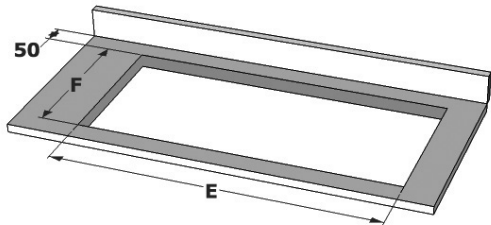


Installation of a Novy hob

Dimensions

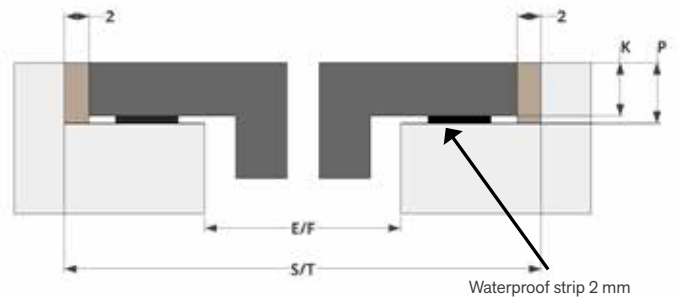
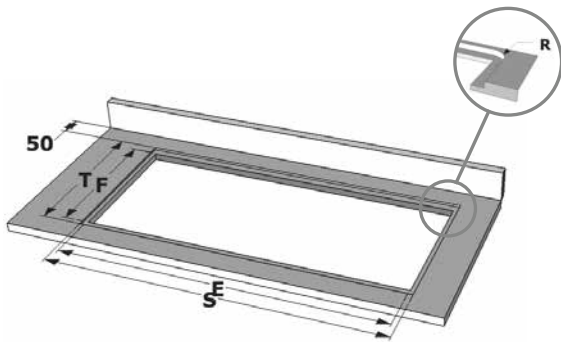


Surface installation



Waterproof strip 2 mm

Flush installation



Waterproof strip 2 mm

	A	B	E	F	H	R⁽¹⁾	S	T	K	P
Induction Pro										
1773	650	520	560	490	47	7	654	524	4	6
1775	800	520	750	490	47	7	804	524	4	6
1776	800	520	750	490	47	7	804	524	4	6
1777	910	410	890	390	47	7	914	414	4	6
1778	900	520	850	490	47	7	904	524	4	6
	A	B	E	F	H	R⁽¹⁾	S	T	K	P
Induction Power										
1724	800	520	750	490	47	7	804	524	4	6
1726	800	520	750	490	47	7	804	524	4	6
1763	650	520	560	490	47	7	654	524	4	6
1767	1000	400	980	380	47	7	1004	404	4	6
1768	900	520	850	490	47	7	904	524	4	6
	A	B	E	F	H	R⁽¹⁾	S	T	K	P
Induction Comfort										
1752	650	520	560	490	52	7	654	524	4	6
1753	650	520	560	490	52	7	654	524	4	6
1754	800	520	750	490	52	7	804	524	4	6
1755	800	520	750	490	52	7	804	524	4	6
1757	800	370	760	340	52	7	804	374	4	6
1758	900	520	850	490	52	7	904	524	4	6
	A	B	E	F	H	R⁽¹⁾	S	T	K	P
Induction Domino's										
3753	380	520	370	490	54	7	384	524	6	8
3754	580	520	560	490	54	7	584	524	6	8
3762	380	520	350	490	47	7	384	524	4	6
3772	380	520	370	490	121	7	384	524	6	8
3774	380	520	350	490	52	7	384	524	4	6
3784	380	520	350	490	52	7	384	524	4	6
	A	B	E	F	H	R⁽¹⁾	S	T	K	P
Gas Pro										
Check technical file										
	A	B	E	F	H	R⁽¹⁾	S	T	K	P
Downdraft										
1821, 1831, 1841	880	520	860	500	65	7	884	524	4	6
1801	780	520	750	490	192	7	784	524	4	6
1811	780	520	750	490	180	7	784	524	4	6
40 000	491	520	481	500	224	7	495	524	5	7
40 002	872	520	852	500	224	7	876	524	5	7
40 004	872	520	852	500	224	7	876	524	5	7
40 006	872	520	862	500	224	7	876	524	6	8
40 008	872	520	862	500	224	7	876	524	5	7
40 000 + 40 002-8	1364	520	1354	500	224	7	1368	524	6	8
40 002-8 + 40 002-8	1745	520	1735	500	224	7	1749	524	6	8

(1) This is the standard radius finish. Contact your worktop supplier if you would prefer a smaller radius.



Info

Premium Innovation Products p. 238

Cooker hoods p. 240

Hobs p. 241

Premium Innovation Products

Novy's dedication to innovation has led to a new generation of products. Technologically sophisticated, they set the tone in relation to aesthetics, ease of use, simplicity and, of course, silence.




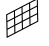



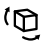




Due to their innovative and progressive features, these products are known as Novy Premium Innovation Products. This catalogue presents: Novy Panorama , Gas Pro, One, Mood, Cloud, Pure'line Compact, Fusion Pro and induction hobs 1775 and 1768. You can recognise these products from the **Premium Innovation logo**.








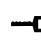
Novy Premium Innovation Partners



To support these products, Novy has decided to collaborate with a **selection of partners**. They receive extensive training and can offer you the expertise and advice you need to make the right choices. This is how Novy and its Premium Innovation Partners guarantee maximum comfort for your dream kitchen.

Cooker hood icons

	<p>Ecosmart Extra quiet, super-efficient, longlasting and energy friendly products.</p>		<p>Design filter A filter with a modern and elegant design.</p>
	<p>Cooker hoods with a motor (direct extraction) The most common model is a cooker hood with an exhaust to the outside.</p>		<p>Perimeter extraction Placing a bottom plate under the cooker hood concentrates the extraction around the edges. This small gap speeds up the extraction. The smaller the area, the faster the airflow. This acceleration enhances the efficiency of the extraction system.</p>
	<p>Remote control These models come with a remote control, the other cooker hoods can also be fitted with them, by ordering an extra kit.</p>		<p>Cubic Motor A square motor housing which can be installed remotely. The housing can be turned in any direction so that the exhaust direction can be chosen depending on the situation. This motor is designed for inside use.</p>
	<p>InTouch InTouch allows you to control your Novy cooker hood from your Novy induction hob.</p>		<p>Click&Fix A simple construction using a click system whereby the Pure'line can be clicked into a false ceiling, after which only 4 screws need to be tightened.</p>
	<p>Installation height The installation height is the distance between the hob and the cooker hood. This height is extremely important for the optimum operation of the cooker hood. The advised installation heights are shown for each model.</p>		<p>Recirculation Sometimes a cooker hood with an external exhaust isn't possible for technical reasons or isn't permitted. A recirculation cooker hood is one which returns the filtered cooking fumes back into the room. The grease in the fumes is filtered by the grease filter and the odours are absorbed by a filter with activated carbon (a monoblock filter). Damp air is not eliminated in the filter, but can be removed by the room's ventilation system. Most cooker hoods can be fitted with a recirculation accessory.</p>

Hob icons

	<p>Chef function</p> <p>The cream of the crop is the Chef function, allowing you to link the Bridge zones automatically at the push of a button. The right-hand zone in setting 9 is for intensive cooking or baking. The centre zone in setting 6 is for simmering and the left-hand zone in setting 4 is to keep dishes warm.</p>		<p>Cooking zone layout</p> <p>Cooking zone layout, zones of different power and sizes.</p>
<p>P</p>	<p>Power and Super Power</p> <p>Each zone has its own Power function, which boosts power considerably. This function is ideal for f.e. boiling large quantities of water.</p>		<p>Cooking zone layout</p> <p>Cooking zone layout, where there are 2 octagonal zones on the left side for more flexibility and 2 powerfull round</p>
<p>U</p>	<p>Keep warm function</p> <p>The keep warm function makes it very easy to maintain a constant temperature of 70°C (or 95°C on specific models).</p>		<p>Cooking zone layout</p> <p>Cooking zone layout, with octagonal zones for maximum flexibility and cooking area.</p>
<p> </p>	<p>Stop & Go</p> <p>Stop & Go can make sure that the power supply can be temporarily switched off. If you touch this control within 10 minutes, all the previously set levels are reinstated.</p>		<p>Grill function</p> <p>When using this function the Bridge function is automatically activated to create a larger cooking surface. This function allows you to grill in the most ideal conditions. See Induction Pro and Power.</p>
<p>∩</p>	<p>Bridge</p> <p>The bridge function allows you to link two adjoining zones so that you can control them in one movement. Very handy for large pots and pans. The linking goes automatically in the Pro and Power range.</p>		<p>Safe</p> <p>When the pan is removed only the contact heat of the pan remains. The residual heat cools down very quickly. If a zone is accidentally turned on but there is no pan on the zone, nothing happens. The hob is also equipped with additional safety features:</p> <ul style="list-style-type: none"> - residual heat indicator - overheating safety - boil over safety - safety shut-off (when the device is left on for a long time) - child lock

	<p>Pot Move function By engaging the Pot Move function in the Pro range, you can move pots and pans to another zone, while the settings are automatically maintained.</p>	<p>Count-up timer In the Pro range, each zone has a separate count-up timer which starts counting when a zone is switched on. It serves as an additional reminder whenever you choose not to set a timer yourself.</p>
	<p>Black opaque glass The glass lets no light pass through, which results in an even black cooking surface without being able to see inside the device.</p>	<p>Wipe Guard Lock your controls with Wipe Guard, so that the hob can be cleaned easily.</p>
	<p>Timer and independent cooking timer Each zone has a separate timer and the hob is also fitted with an independent cooking timer.</p>	<p>Automatic boiling function The contents of the pan are first brought to the boil for a set time and then the cooking process continues at a set lower level.</p>
	<p>Touch Control All induction hobs are simple and discreet to operate. Most of the hobs have a combination of Touch Control and slider control.</p>	<p>Slider control With the slider control you only need to slide your finger over the control to achieve the desired level. The level can also be directly selected.</p>



Novy nv

Noordlaan 6
8520 Kurne
Belgium
novy@novy.com
www.novy.com

Warranty terms and conditions

www.novy.com

Footnotes

Characteristics of the products on condition of changes or printing errors. All colors in this catalogue can only be represent approximately.
The copy is not binding.



